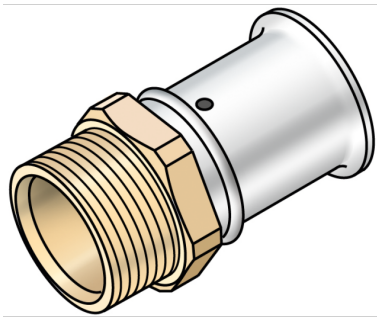


# KELOX

## KMU450C KELOX-ULTRAX - COPPER screw adapter with male thread 25x22/1-1/8"

71205E04

### Areas of application



Press-fit adapter with male thread made of brass incl. support sleeves with O-rings and stainless steel press-fit sleeves for adapting to copper pipes; supplied without copper pipe union "leak before pressed"

# Specifications

## Article information

|               |                          |
|---------------|--------------------------|
| port 1        | Pressmuffe               |
| port 2        | Außengewinde Flare (UNF) |
| execution     | 1-part                   |
| design        | gerade                   |
| press contour | U                        |

## Technical properties

|                                    |    |
|------------------------------------|----|
| maximum working pressure at 20 ° C | 10 |
|------------------------------------|----|

## Product information

|                     |  |
|---------------------|--|
| VPE1                | 10,00 SA1  |
| VPE2                | 80,00 KT1  |
| weight              | 0,120 KGM  |
| text                | KELOX-ULTRAX - COPPER screw adapter with male thread |
| INTRNR              | 74122000   |
| main material group | KELOX  |
| material group      | KELOX-ULTRAX metal fittings                          |
| code                | KMU450C  |



| Art. No  | label        | d2     | d1 mm | L1 mm | z1 mm | z2 mm | slw1 mm |
|----------|--------------|--------|-------|-------|-------|-------|---------|
| 71205E04 | 25x22/1-1/8" | 1 1/8" | 25    | 38,5  | 6     | 17,5  | 32      |