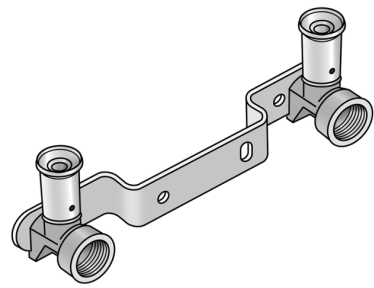


KELOX

KMU485K KELOX-ULTRAX connection set,
shortened 16x3/8" 12cm

74266A02

Areas of application



KELOX connection set with KMU480K wall bracket fitting 90° with metal bar of galvanised steel,
alignment of wall bracket fittings adjustable.

DO NOT screw in threaded pipes and malleable cast iron fittings!

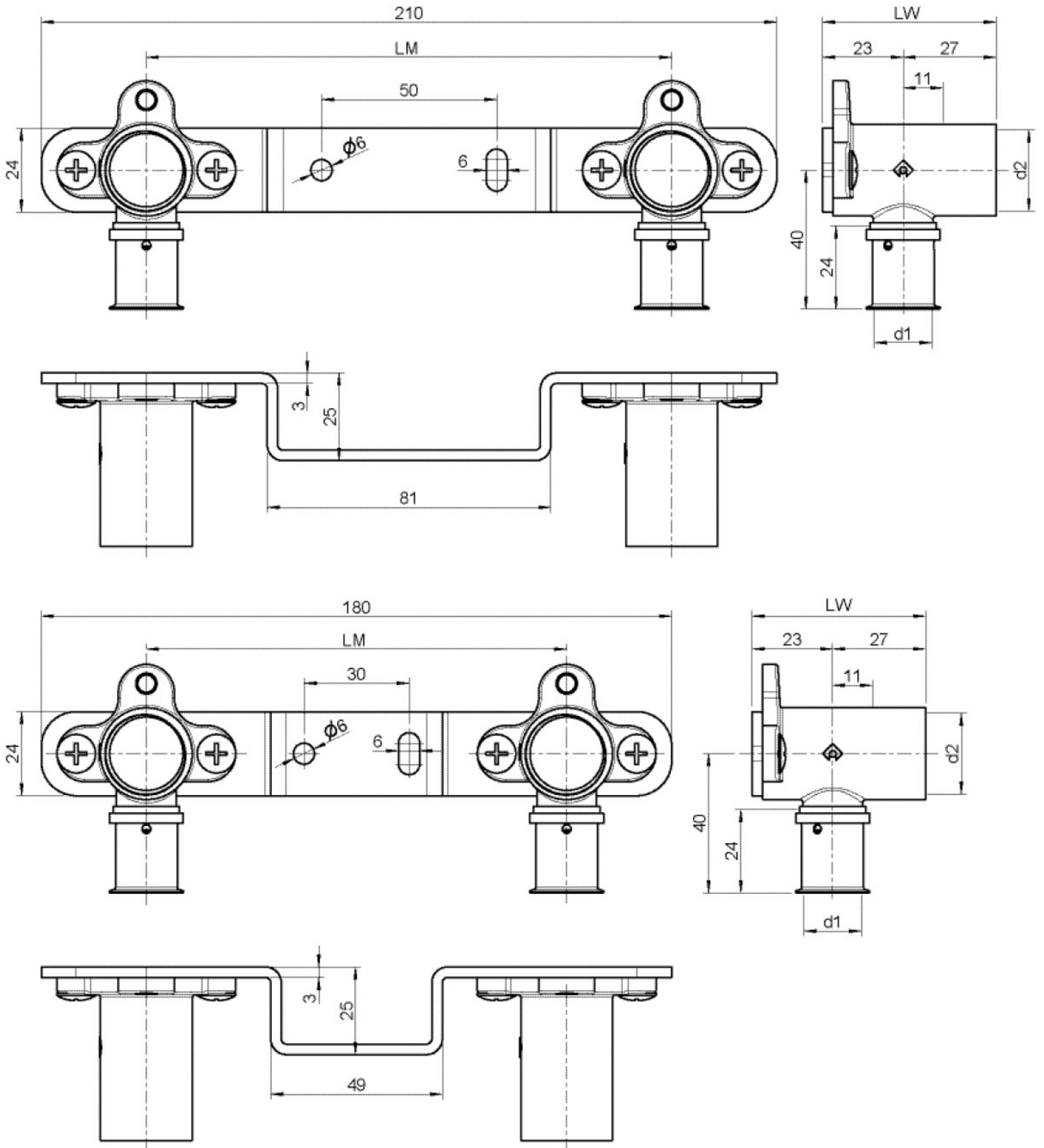
Specifications

Article information

port 1	Pressmuffe
execution	Doppel Brücke

Product information

VPE1	1,00 SA1
VPE2	25,00 KT1
weight	0,340 KGM
text	?KELOX-ULTRAX connection set, shortened
INTRNR	74122000
main material group	KELOX
material group	KELOX-ULTRAX metal fittings
code	KMU485K



Art. No	label	d1 mm
74266A02	16x3/8" 12cm	16



KE KELIT GmbH

A 4020 Linz, Ignaz-Mayer-Straße 17, Austria, Europe

PHONE +43 (0) 50 779 **E-MAIL** office@kekelit.com

www.kekelit.com