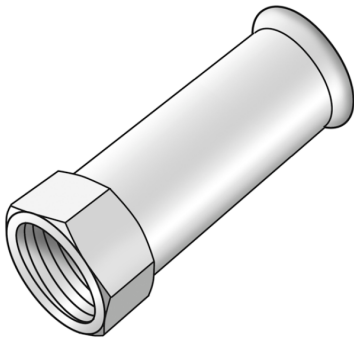


# STEEL FIX C-STAH

CP458 STEELFIX carbon steel press-fit sliding sleeve with female thread 28x3/4"

54707E04

## Areas of application



Press-fit sliding sleeve adapter with female thread made of carbon steel coated with a zinc layer, incl. EPDM sealing elements, "leak before pressed"

Press contour: M

# Specifications

## Article information

|               |   |
|---------------|---|
| port 1        | Pressmuffe  |
| port 2        | Innengewinde zylindrisch BSPT-Rp (ISO 7-1 / EN 10226-1) |
| execution     | 1-part  |
| design        | gerade  |
| press contour | M   |

## Product information

|                     |   |
|---------------------|---|
| VPE1                | 10,00 SA1   |
| VPE2                | 40,00 KT1   |
| VPE3                | 1000,00 DDP   |
| weight              | 0,121 KGM   |
| text                | STEELFIX carbon steel press-fit sliding sleeve with female thread |
| INTRNR              | 73079980  |
| main material group | STEELFIX  |
| material group      | C-STAHL pressfittings   |
| code                | CP458   |

| Art. No  | label   |
|----------|---------|
| 54707E04 | 28x3/4" |