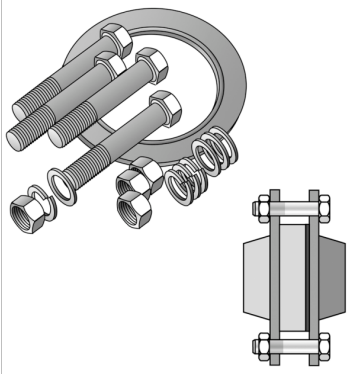


# KELEN

## K19A KELIT seal set for loose flange KE18 - steel flange Seal 32

27308300

### Areas of application



Incl. screws, nuts, spring washers, shims and EPDM seal with steel insert, screw length aligned with KE18 collar bushing with K19 loose flange mounted on steel flange  
EPDM seal with steel insert available separately!

### Approvals:



# Specifications

Product information	
VPE1	1,00 SA1
weight	0,020 KGM
text	KELIT seal set for loose flange KE18 - steel flange
INTRNR	40169300
main material group	KELEN
material group	KELEN accessories
code	K19A

Art. No	label
27308300	Seal 32