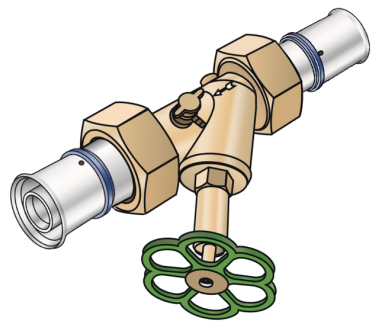


# KELOX

## KMU452 KELOX-ULTRAX slanted-seat valve 40-DN32

71233GG0

### Areas of application



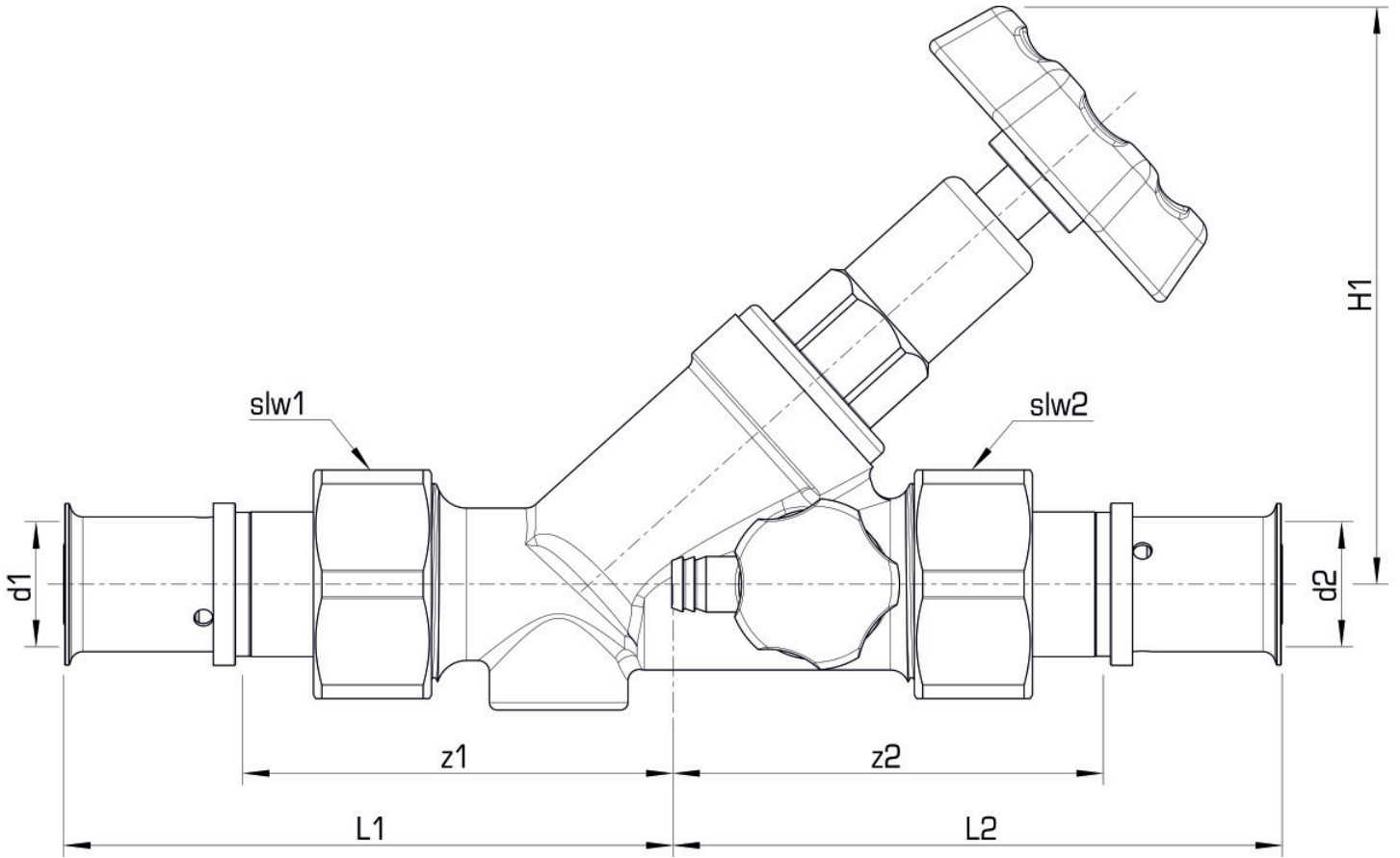
Slanted-seat valve with ULTRAX press-fit threaded unions KMU455 top part free of dead space, flat-sealing incl. seal and drain outlet "leak before pressed"

### Approvals:



# Specifications

| Product information |                                 |
|---------------------|---------------------------------|
| VPE1                | 1,00 SA1                        |
| VPE2                | 5,00 KT1                        |
| weight              | 2,337 KGM                       |
| text                | KELOX-ULTRAX slanted-seat valve |
| INTRNR              | 74122000                        |
| main material group | KELOX                           |
| material group      | KELOX-ULTRAX metal fittings     |
| code                | KMU452                          |



| Art. No  | label   |
|----------|---------|
| 71233GG0 | 40-DN32 |