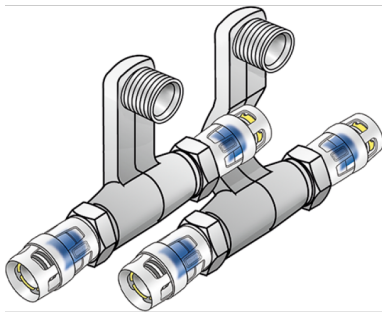


KELOX

KMP435X KELOX-PROTEC CLIX skirting board connecting set STx1/2"x16

73015502B

Areas of application



Skirting board radiator connecting set with PROTEC press-fit adapters; made of non-porous metallised brass, incl. support sleeves with insertion click noise, as well as haptic and optical insertion indicator, O-rings, withdrawal barriers and a protector ring as an insertion locking device with 1/2" male thread radiator connections

Approvals:



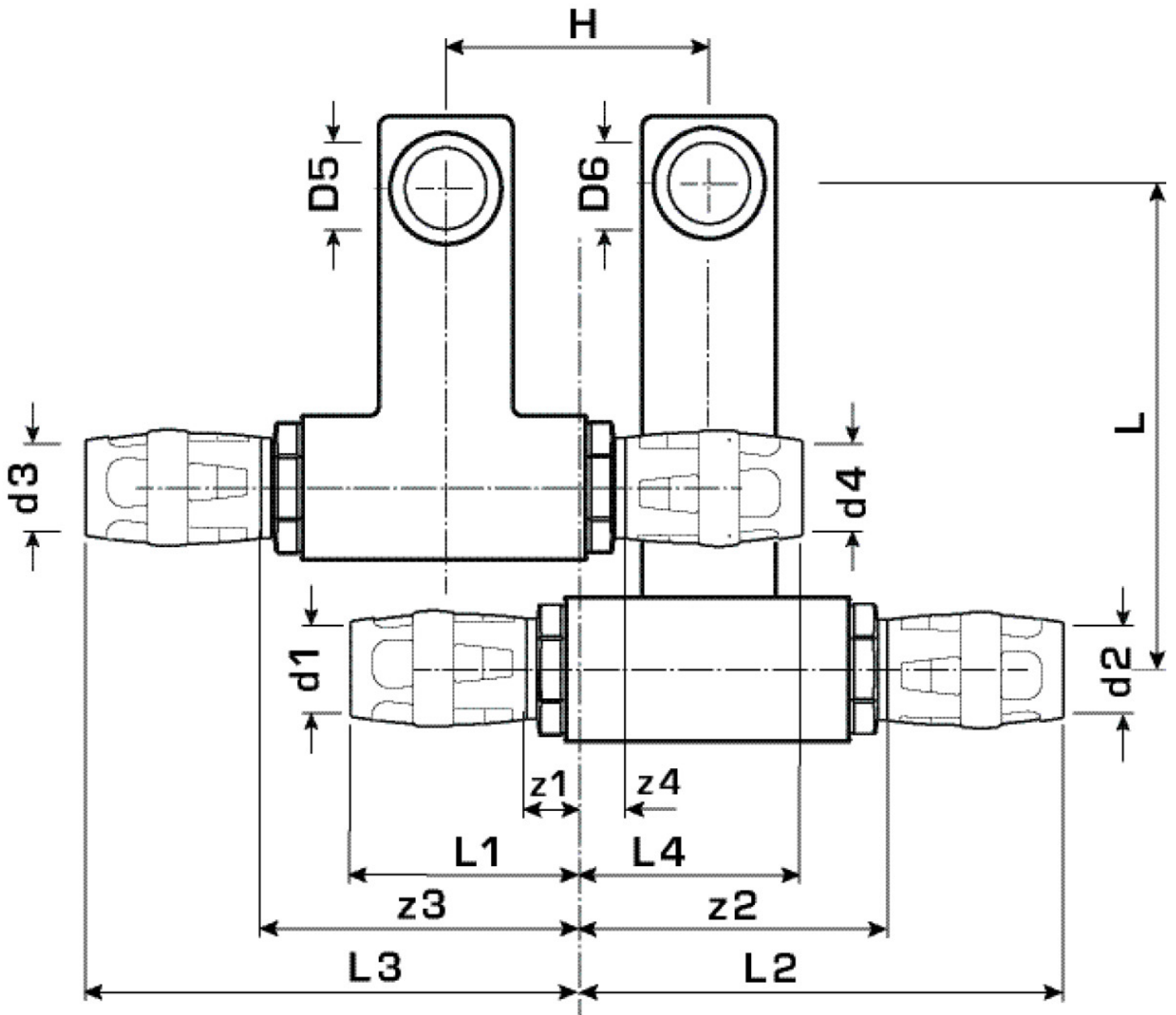
Specifications

Article information

port 1	Plug-in sleeve
port 2	Plug-in sleeve
execution	Miscellaneous

Product information

VPE1	1,00 SA1
VPE2	10,00 KT1
weight	0,738 KGM
text	KELOX-PROTEC CLIX skirting board connecting set
INTRNR	74122000
main material group	KELOX
material group	KELOX-PROtec pushfittings
code	KMP435X



Art. No	label	d5 Inches	d6 Inches	d2 mm	d4 mm	L1 mm	L2 mm	L3 mm	L4 mm	z1 mm	z2 mm	z3 mm	z4 mm	h mm
73015f	STx1/2	1/2" (15)	1/2" (15)	16	16	10	95	55	46	10	63	50	10	95