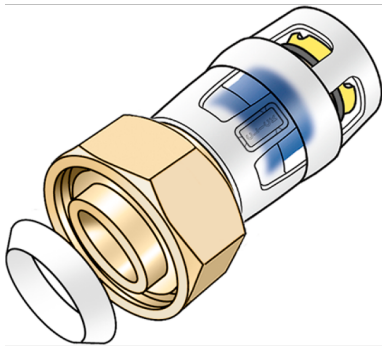


# KELOX

## KMP455KX KELOX-PROTEC CLIX screw fitting with female thread & wedge seal 20x1/2"

730204D02

### Areas of application



Plug-in screw fitting with female thread for connection to fittings, or threaded nipples made of dezincification-resistant brass (DZR), incl. push-on sleeve made of transparent polyamide with insertion click noise, as well as haptic and optical insertion indicator, O-rings, withdrawal barriers and protector ring as insertion locking device, incl. wedge seal

## Approvals:



# Specifications

## Article information

port 1	Plug-in
port 2	Female thread cylindrical BSPT-Rp (ISO 7-1)
design	Straight

## Technical properties

maximum working pressure at 20 ° C	10 bar
------------------------------------	--------

## Product information

VPE1	10,00 SA1
VPE2	170,00 KT1
weight	0,074 KGM
text	KELOX-PROTEC CLIX screw fitting with female thread & wedge seal
INTRNR	74122000
main material group	KELOX
material group	KELOX-PROtec pushfittings
code	KMP455KX



Art. No	label	d2	d1 mm	L1 mm	L2 mm	z1 mm	z2 mm	slw1	slw2 mm
730204D02	20x1/2"	1/2" (15)	20	36	24,5	4	13	30	24