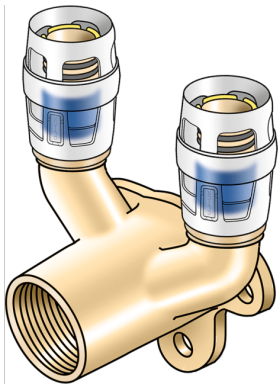


# KELOX

## KMP477X KELOX-PROTEC CLIX double U wall bracket fitting with female thread 20x1/2"

730254D2D

### Areas of application



Double U wall bracket fitting with female thread, made of dezincification-resistant (DZR) brass, incl. push-on sleeve made of transparent polyamide with insertion click noise, as well as haptic and optical insertion indicator, O-rings, withdrawal barriers and a protector ring as an insertion locking device

Overall height:

1/2" - 46 mm

DO NOT screw in threaded pipes and cast iron fittings!

## Approvals:



# Specifications

## Article information

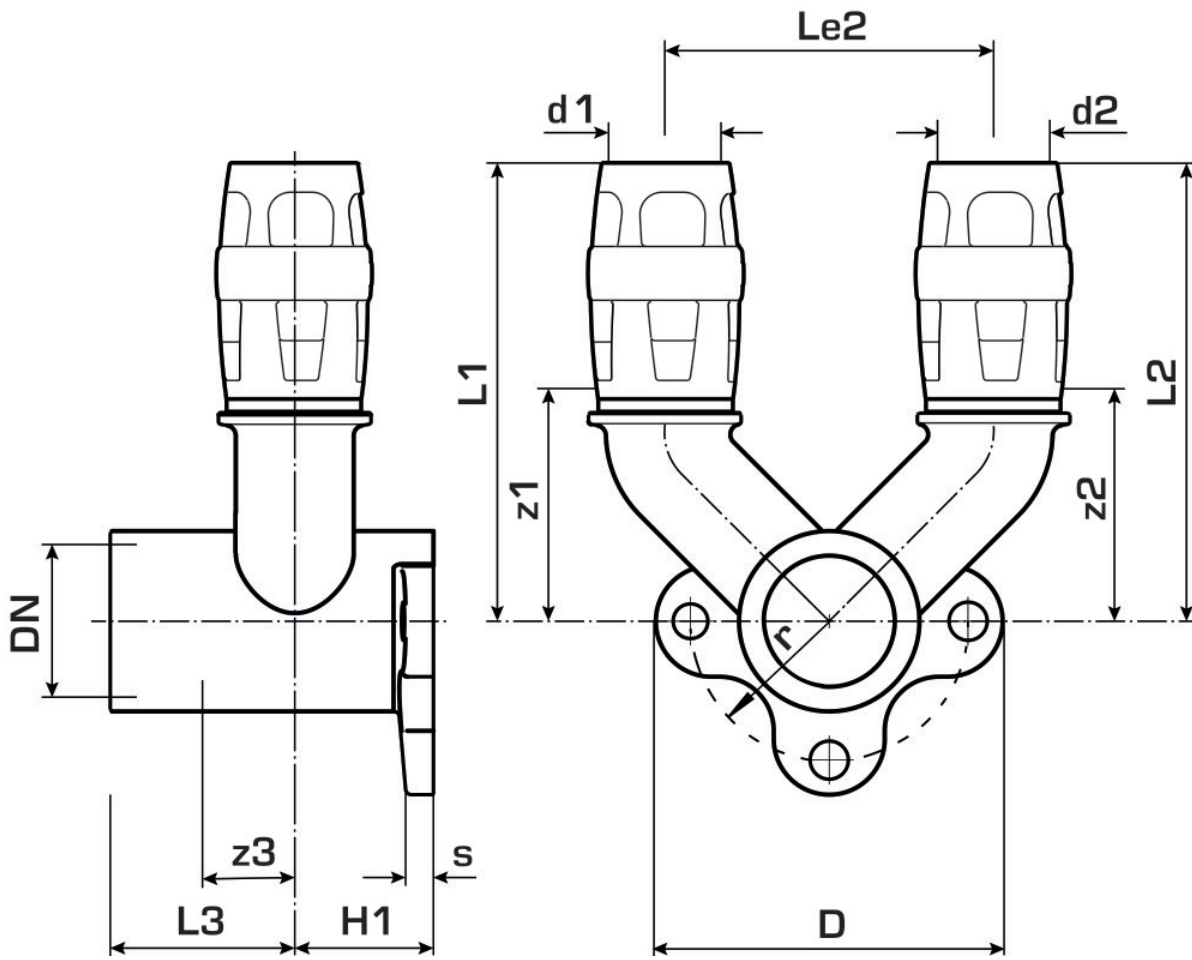
<b>port 1</b>	Plug-in
<b>design</b>	Continuously right-angled

## Technical properties

<b>maximum working pressure at 20 ° C</b>	10 bar
---	--------

## Product information

<b>VPE1</b>	10,00 SA1
<b>VPE2</b>	40,00 KT1
<b>weight</b>	0,262 KGM
<b>text</b>	KELOX-PROTEC CLIX double U wall bracket fitting with female thread
<b>INTRNR</b>	74122000
<b>main material group</b>	KELOX
<b>material group</b>	KELOX-PROtec pushfittings
<b>code</b>	KMP477X



Art. No	label	d1 mm	L1 mm	L2 mm	L3 mm	z1 mm	z2 mm	z3 mm
730254D2D	20x1/2"	20	68	26	27	34	10	9