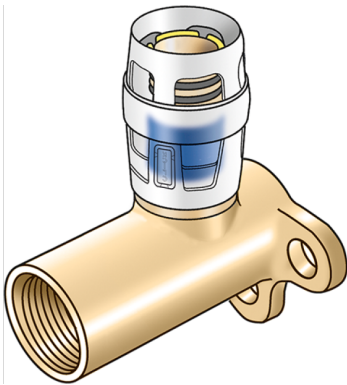


KELOX

KMP480LX KELOX-PROTEC CLIX wall bracket fitting with female thread 20mm 20x1/2"

730251D02

Areas of application



Plug-in wall bracket fitting with female thread extended by 20mm, made of dezincification-resistant (DZR) brass, including support sleeves with insertion click noise, as well as haptic and optical insertion indicator,

O-rings, withdrawal barriers and protector ring as insertion locking device

Overall height: 1/2" - 66mm

DO NOT screw in threaded pipes and cast iron fittings!

Approvals:



Specifications

Article information

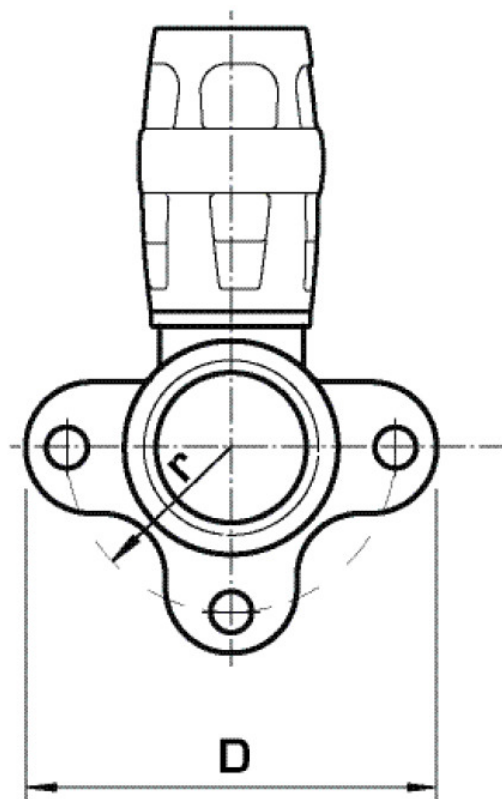
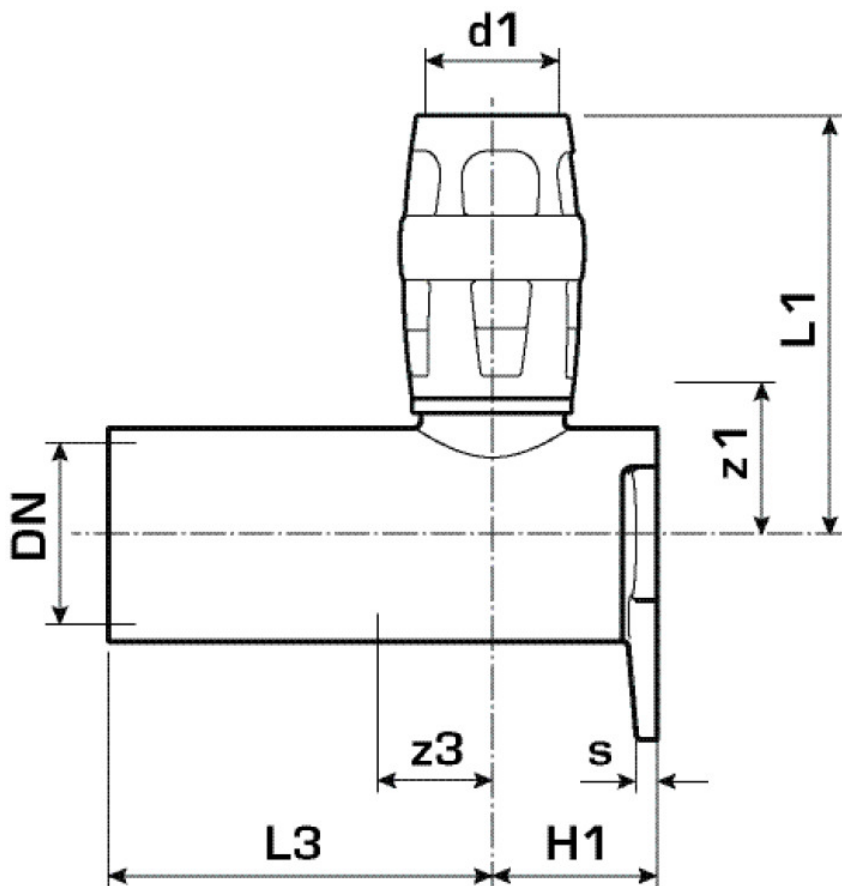
port 1	Plug-in
design	Continuously right-angled

Technical properties

maximum working pressure at 20 ° C	10 bar
------------------------------------	--------

Product information

VPE1	10,00 SA1
VPE2	60,00 KT1
weight	0,200 KGM
text	KELOX-PROTEC CLIX wall bracket fitting with female thread 20mm
INTRNR	74122000
main material group	KELOX
material group	KELOX-PROtec pushfittings
code	KMP480LX



Art. No	label	d1 mm	L1 mm	L3 mm	z1 mm	z3 mm
730251D02	20x1/2"	20	46	53	11	18