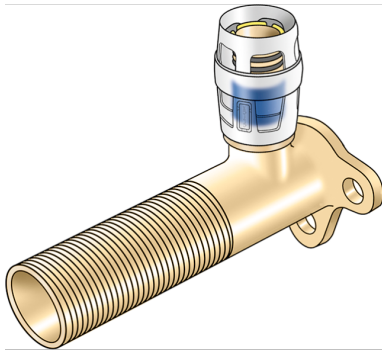


# KELOX

KMP481X KELOX-PROTEC CLIX wall bracket fitting 90° with male thread 50mm 20x1/2"x50

730256D02

## Areas of application



Plug-in wall bracket fitting with 50 mm male thread, made of non-porous dezincification-resistant (DZR) brass, including support sleeves with insertion click noise, as well as haptic and optical insertion indicator, O-rings, withdrawal barriers and a protector ring as an insertion locking device  
Overall height: 1/2" - 85mm

## Approvals:



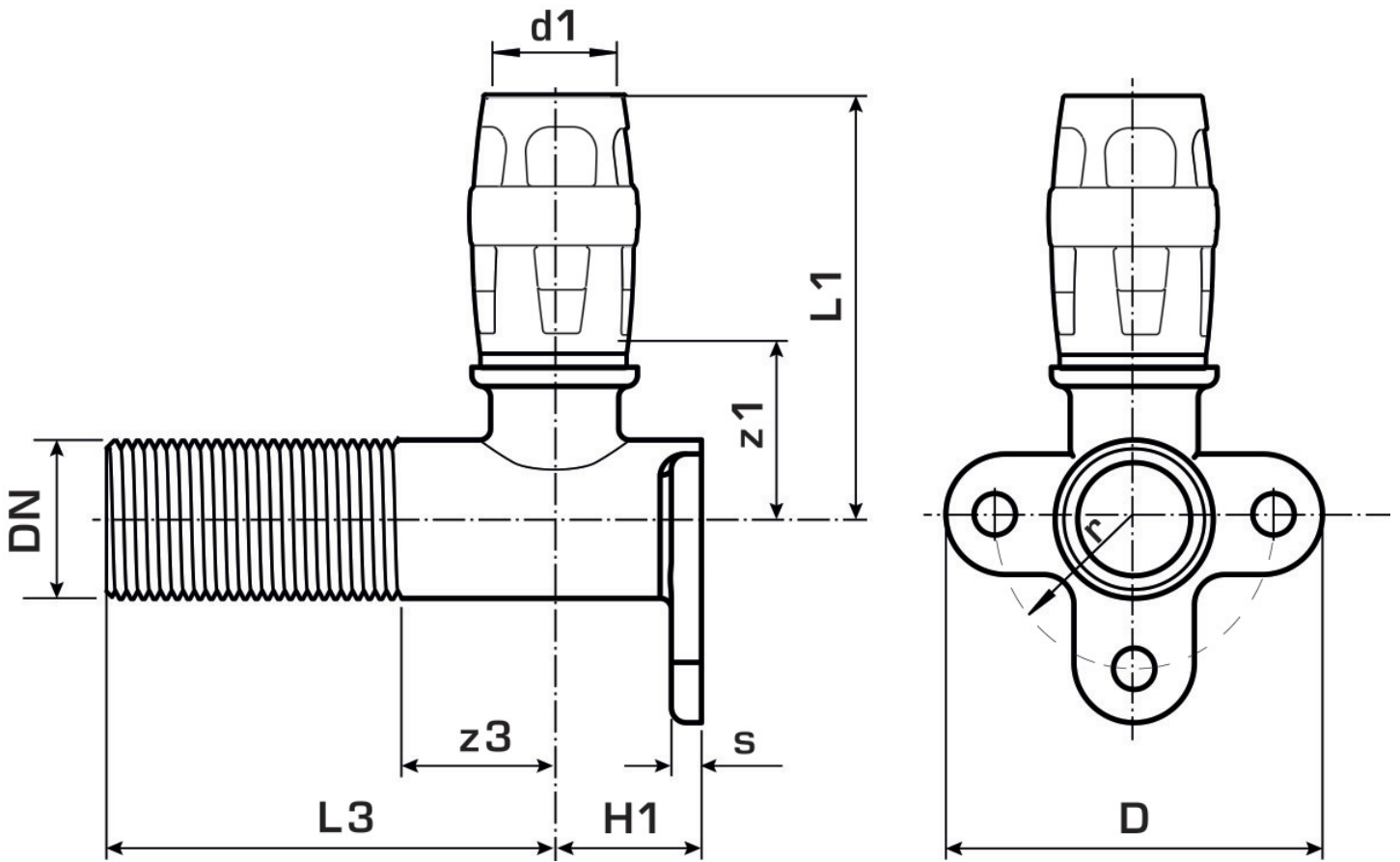
# Specifications

## Technical properties

**maximum working pressure at 20 ° C** 10 bar

## Product information

<b>VPE1</b>	10,00 SA1
<b>VPE2</b>	60,00 KT1
<b>weight</b>	0,172 KGM
<b>text</b>	KELOX-PROTEC CLIX wall bracket fitting 90° with male thread 50mm
<b>INTRNR</b>	74122000
<b>main material group</b>	KELOX
<b>material group</b>	KELOX-PROtec pushfittings
<b>code</b>	KMP481X



Art. No	label	d1 mm	L1 mm	L3 mm	z1 mm	z3 mm
730256D02	20x1/2"x50	20	60	60	27	10