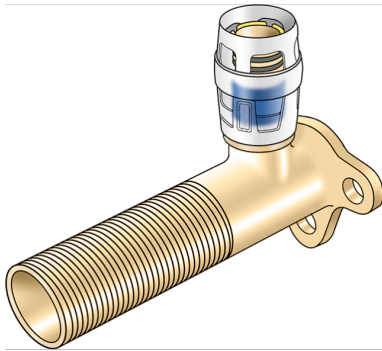


KELOX

KMP481LX KELOX-PROTEC CLIX wall bracket fitting 90° with male thread 80mm 20x1/2"x80

730257D02

Areas of application



Plug-in wall bracket fitting with 80 mm male thread, made of dezincification-resistant (DZR) brass, including transparent polyamide push-on sleeve with insertion click noise, as well as haptic and optical insertion indicator, O-rings, withdrawal barriers and protector rings as an insertion locking device

Overall height: 1/2" - 109mm

Approvals:



Specifications

Article information

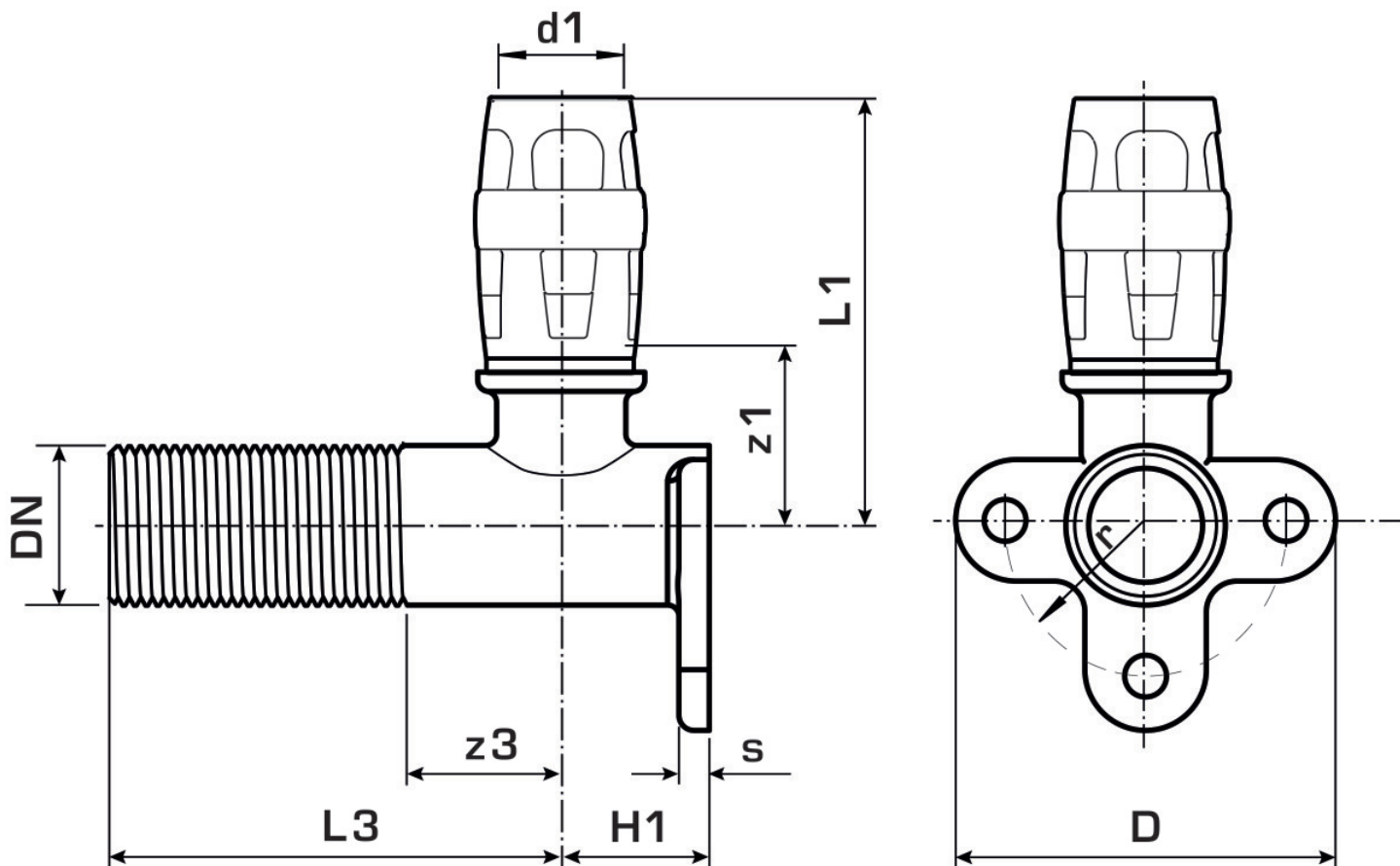
port 1	Einsteck (Push-Fitting)
design	Continuously right-angled

Technical properties

maximum working pressure at 20 ° C	10 bar
-------------------------------------------	--------

Product information

VPE1	10,00 SA1
VPE2	40,00 KT1
weight	0,207 KGM
text	KELOX-PROTEC CLIX wall bracket fitting 90° with male thread 80mm
INTRNR	74122000
main material group	KELOX
material group	KELOX-PROtec pushfittings
code	KMP481LX



Art. No	label	d1 mm	L1 mm	L3 mm	z1 mm	z3 mm
730257D02	20x1/2"x80	20	57	79	24	12