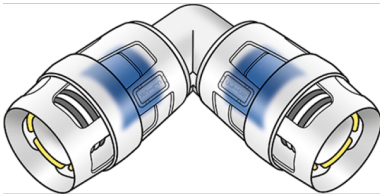


KELOX

KWP420X KELOX-PROTEC CLIX PPSU elbow 90° 25

730603EE0

Areas of application



Plug-in elbow 90° for changing direction with a minimal radius, made of PPSU, including support sleeves with insertion click noise, as well as haptic and optical insertion indicator, O-rings, withdrawal barriers and protector ring as insertion locking device

Approvals:



Specifications

Article information

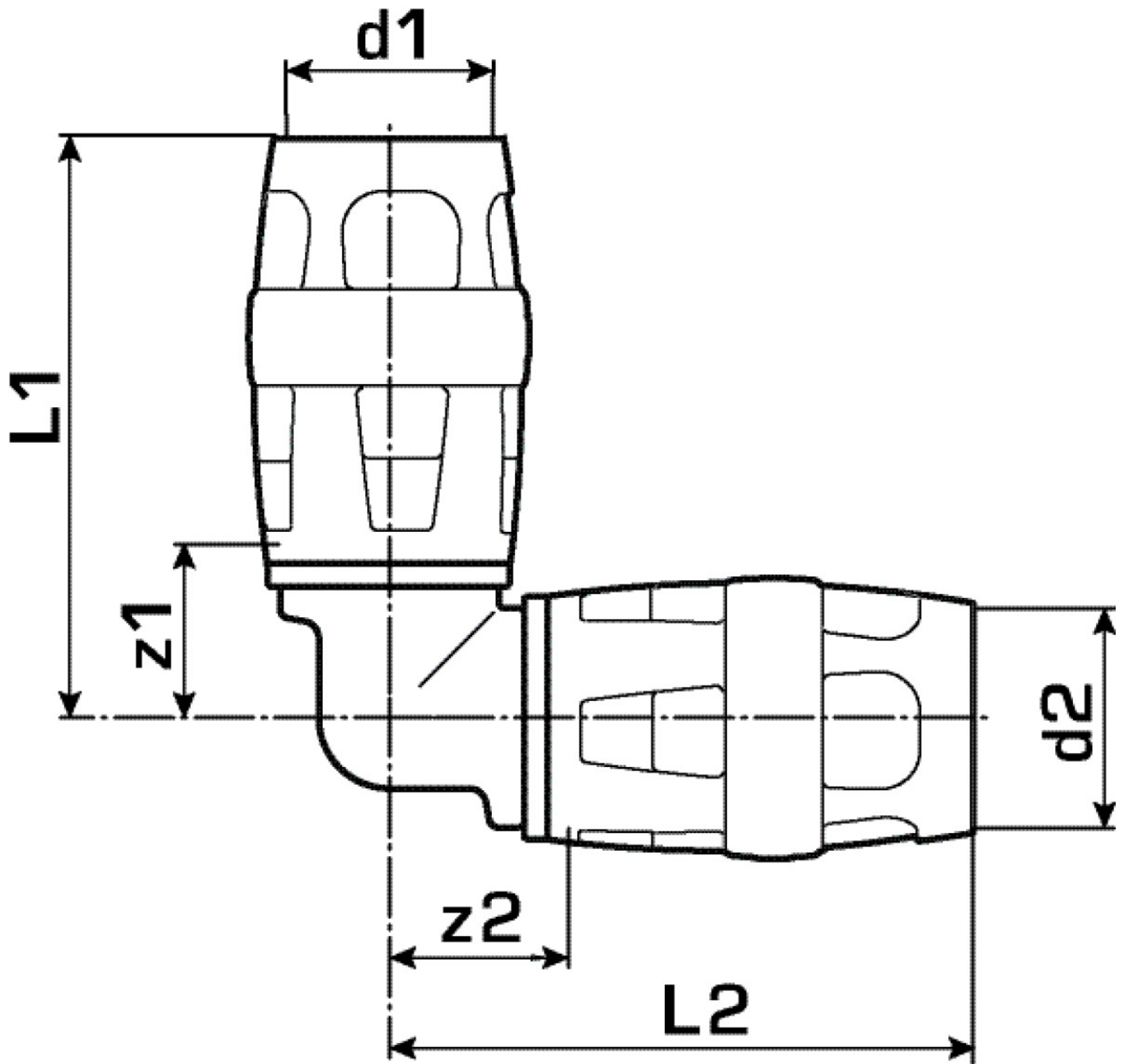
port 1	Plug-in
port 2	Plug-in
execution	Miscellaneous
design	Knee
angle	90 °

Technical properties

maximum working pressure at 20 ° C	10 bar
------------------------------------	--------

Product information

VPE1	10,00 SA1
VPE2	70,00 KT1
weight	0,057 KGM
text	KELOX-PROTEC CLIX PPSU elbow 90°
INTRNR	39174000
main material group	KELOX
material group	KELOX-PROtec-PPSU pushfittings
code	KWP420X



Art. No	label	d1 mm	d2 mm	L1 mm	L2 mm	z1 mm	z2 mm
730603EE0	25	25	25	58	58	20,5	20,5