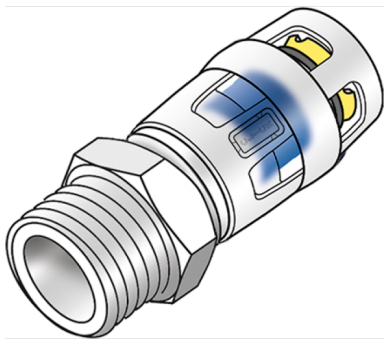


# KELOX

## KWP450X KELOX-PROTEC CLIX PPSU adapter with male thread 25x3/4"

730702E04

### Areas of application



Plug-in adapter with male thread for sealing with hemp, made of PPSU, including support sleeves with insertion click noise, as well as haptic and optical insertion indicator, O-rings, withdrawal barriers and protector ring as insertion locking device

DO NOT use liquid sealants or thread sealing tape!

## Approvals:



# Specifications

## Article information

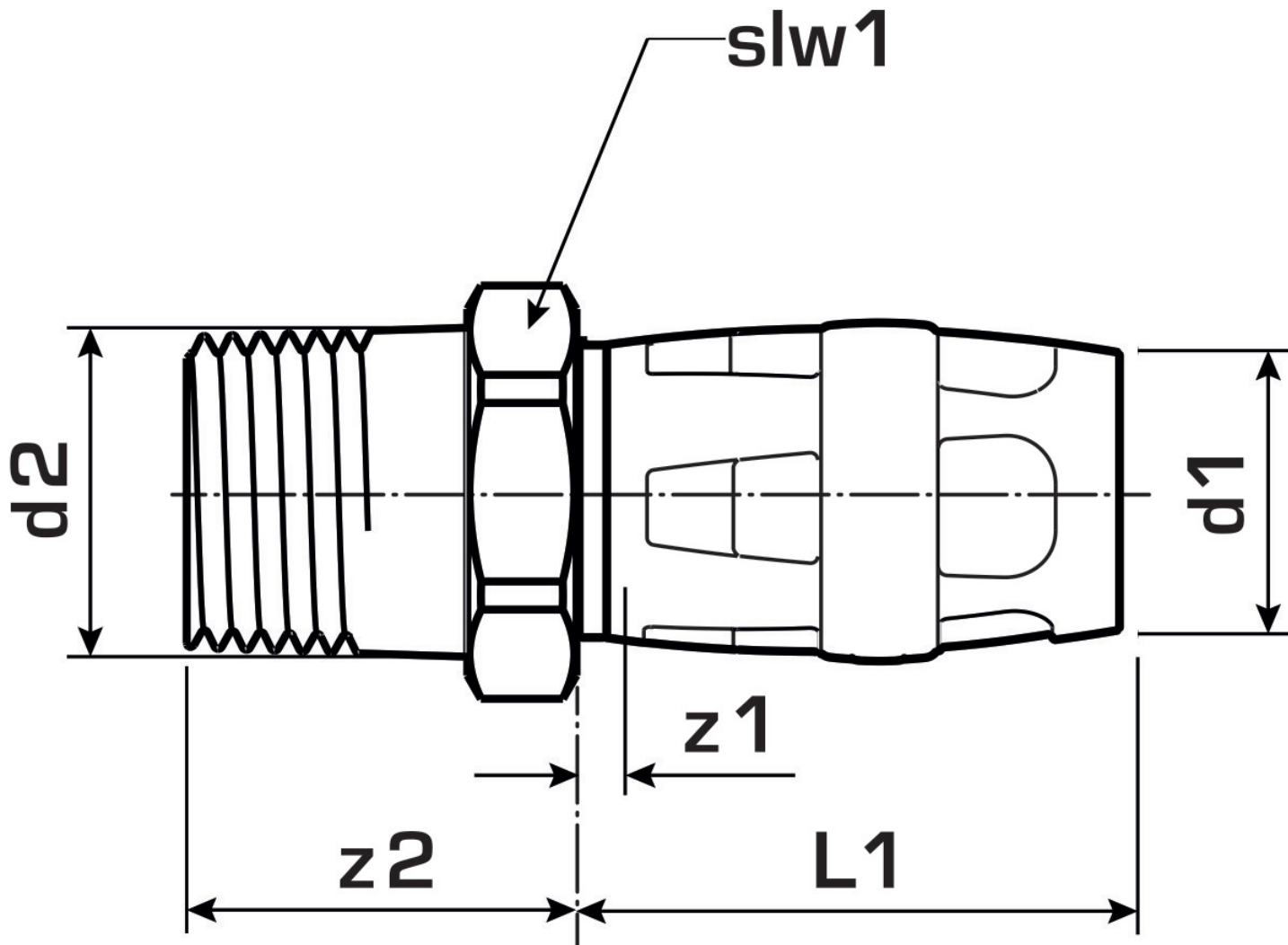
port 1	Plug-in
execution	Miscellaneous
design	Straight

## Technical properties

maximum working pressure at 20 ° C	10 bar
------------------------------------	--------

## Product information

VPE1	10,00 SA1
VPE2	100,00 KT1
weight	0,038 KGM
text	KELOX-PROTEC CLIX PPSU adapter with male thread
INTRNR	39174000
main material group	KELOX
material group	KELOX-PROtec-PPSU pushfittings
code	KWP450X



Art. No	label	d2 Inches	d1 mm	L1 mm	z1 mm	z2 mm	slw1 mm
730702E04	25x3/4"	1"	25	35,5	3,5	39	38