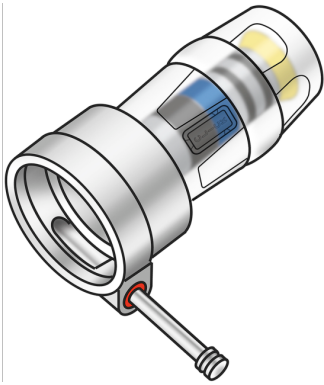


# KELOX<sub>FB</sub>

## KMP552X KELOX-PROTEC CLIX quick-push coupling 16

730175B00

### Areas of application



?Quick-push coupling, made of non-porous metallised brass, fits FB manifolds KMP590E, KMP590D and KMP590M, incl. support sleeves with insertion click noise, as well as haptic and optical insertion indicator, O-rings, withdrawal barriers and protector ring as an insertion locking device

### Approvals:



KE KELIT GmbH

A 4020 Linz, Ignaz-Mayer-Straße 17, Austria, Europe

PHONE +43 (0) 50 779 E-MAIL [office@kekelit.com](mailto:office@kekelit.com)

[www.kekelit.com](http://www.kekelit.com)

# Specifications

## Article information

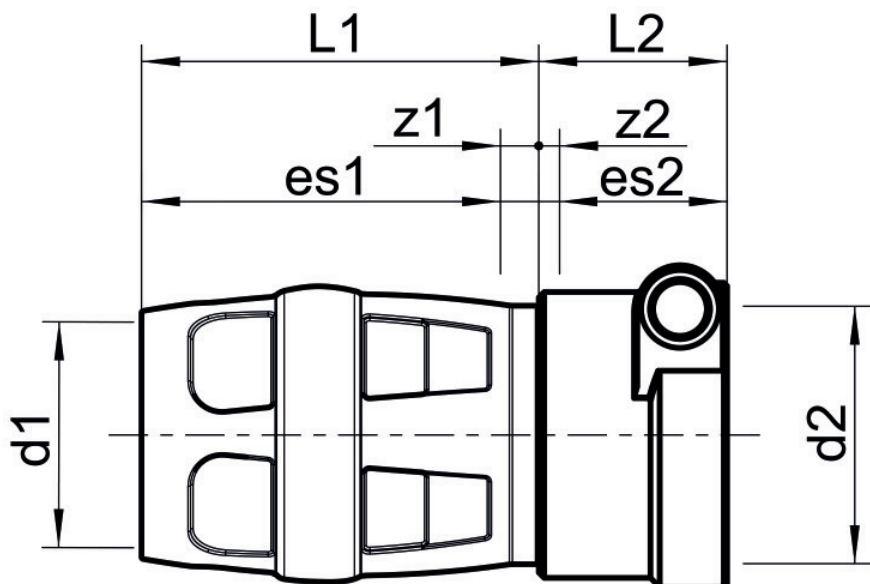
port 1	Plug-in
port 2	Bayonet
execution	1-part
design	Straight

## Technical properties

insertion depth 1 (es1)	32,5 mm
maximum working pressure at 20 ° C	10 bar
PN	PN 10

## Product information

VPE1	10,00 SA1
VPE2	180,00 KT1
weight	0,057 KGM
text	KELOX-PROTEC CLIX quick-push coupling
INTRNR	74122000
code	KMP552X



Art. No	label	d1 mm	d2 mm	L1 mm	L2 mm	z1 mm	z2 mm	insertion depth 1 (es1) mm	Insertion depth 2 (es2) mm
730175B00	16	16	23,5	36	17	3,5	2	32,5	15