

KELOX

KM146B KELOX plus pipe - 26mm 16x2 blue

75226160

Areas of application



?KELOX multilayer pipe conforming to ÖNORM EN ISO 21003, oxygen- and water vapour diffusion-tight 5-layer PE-RT/Al/PE-RT composite pipe, with factory-applied 26mm closed-cell soft foam insulation and jacket made of viscoplastic PE film

Classification of operating conditions according to ÖNORM EN ISO 21003

Sanitary application - Class 2: 70°C - tmax 80°C/10 bar

Radiator connection - Class 5: 80°C - tmax 90°C/10 bar

Thermal conductivity according to EN ISO 8497:

Average temperature +20°C - 0.038 W/mK

Average temperature +40°C - 0.040 W/mK

Insulation thickness: 26mm

Supplied in coils

Approvals:



Specifications

Article information

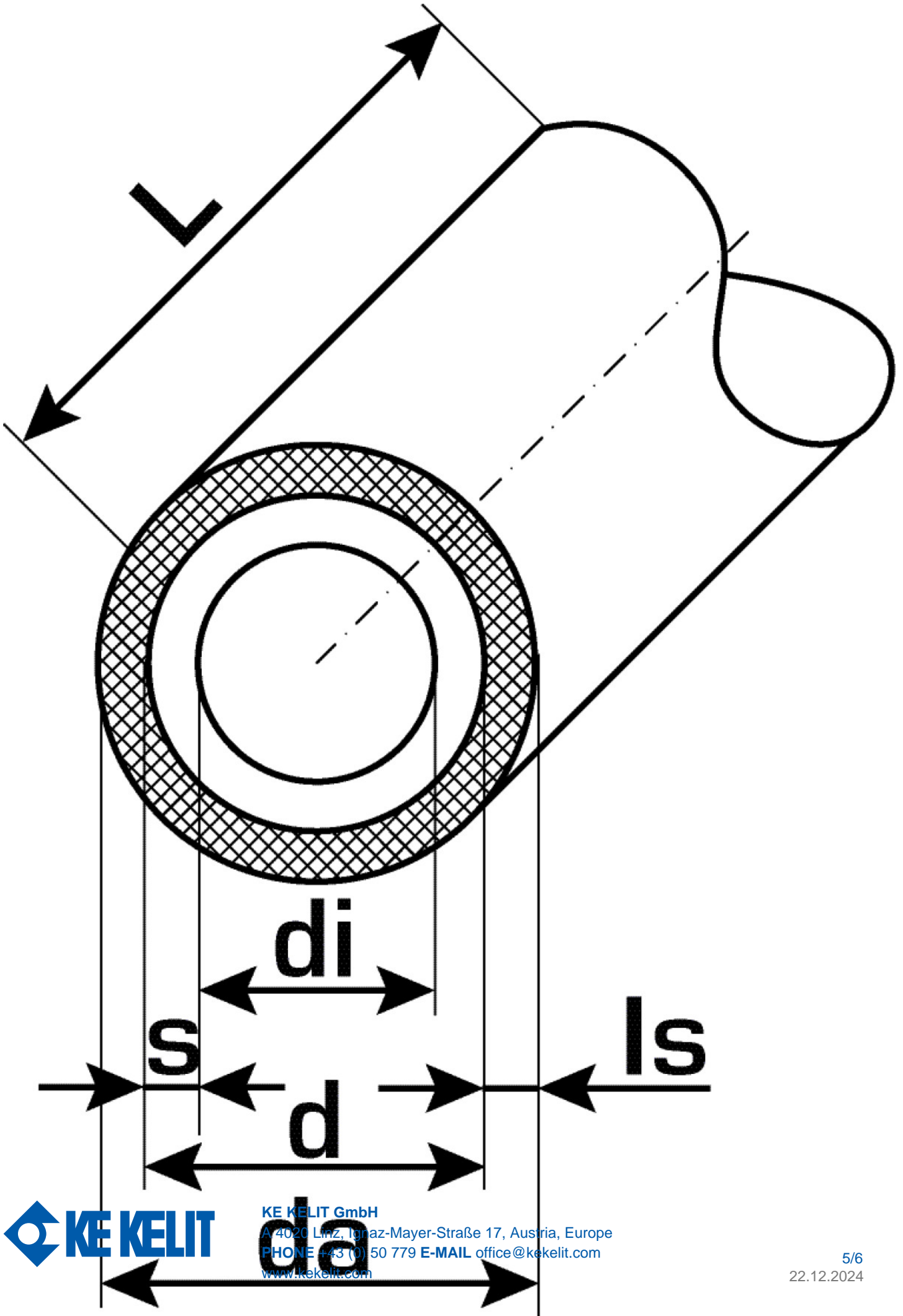
| | |
|-------------------------|---------|
| color | weiß |
| colour isolation | blau |
| flexible | 1 |
| trade length | 50,00 m |
| isolation | 1 |

Technical properties

| | |
|---|----------------|
| maximum working pressure at 20 ° C | 10 bar |
| thick thermal insulation | 26 mm |
| pipe weight | 0,15 kg/m |
| pipe contents | 0,113 l/m |
| lambda pipe | 0,45 W/(m.K) |
| wall rawness | 0,007 mm |
| expansion coefficient | 0,025 mm/(m.K) |

Product information

| | |
|---------------------|------------------------|
| VPE1 | 25,00 ROL |
| VPE2 | 125,00 PAL |
| L | 50 m |
| weight | 0,230 KGM |
| text | KELOX plus pipe - 26mm |
| INTRNR | 39173900 |
| main material group | KELOX |
| material group | KELOX isolierte pipes |
| code | KM146B |



| Art. No | label | d1 mm | d Jacket tube mm | pipe contents l/m | s mm |
|----------|-----------|-------|------------------|-------------------|------|
| 75226160 | 16x2 blue | 16 | 68 | 0,113 | 2 |



KE KELIT GmbH

A 4020 Linz, Ignaz-Mayer-Straße 17, Austria, Europe

PHONE +43 (0) 50 779 **E-MAIL** office@kekelit.com

www.kekelit.com