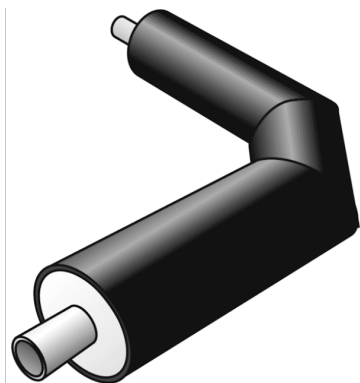


NP2020 STEELFIX-PE stainless steel elbow 1.4401 42x1.5

3000675

Areas of application



Pre-insulated stainless steel 90° elbow

Medium pipe: Thin-walled, longitudinally welded stainless steel pipes 1.4401 according to EN 10312 and EN 10217-7 outside and inside bare metallic

Application area: Drinking water installations, service water and rain water, compressed air

Insulation: PUR hard foam, jacket pipe: PE-HD

also available in 45°!

Leg length: 500 x 500mm, other leg lengths on request!

Approvals:



KE KELIT GmbH

A 4020 Linz, Ignaz-Mayer-Straße 17, Austria, Europe

PHONE +43 (0) 50 779 E-MAIL office@kekelit.com

www.kekelit.com

Specifications

| Product information | |
|---------------------|---|
| casing DA | 110 |
| VPE1 | 1,00 STK |
| weight | 3,300 KGM |
| text | STEELFIX-PE stainless steel elbow 1.4401 |
| INTRNR | 73071990 |
| main material group | STEELFIX CX/PE |
| material group | STEELFIX CX/PE stainless steel pipes and fittings |
| code | NP2020 |

| Art. No | label |
|---------|--------|
| 3000675 | 42x1.5 |