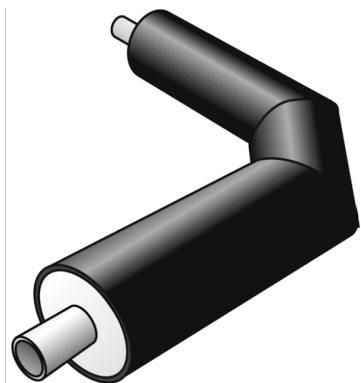


# NP2020 STEELFIX-PE stainless steel elbow 1.4401 76.1x2.0

3000685

## Areas of application



Pre-insulated stainless steel 90° elbow

Medium pipe: Thin-walled, longitudinally welded stainless steel pipes 1.4401 according to EN 10312 and EN 10217-7 outside and inside bare metallic

Application area: Drinking water installations, service water and rain water, compressed air

Insulation: PUR hard foam, jacket pipe: PE-HD

also available in 45°!

Leg length: 500 x 500mm, other leg lengths on request!

## Approvals:



KE KELIT GmbH

A 4020 Linz, Ignaz-Mayer-Straße 17, Austria, Europe

PHONE +43 (0) 50 779 E-MAIL [office@kekelit.com](mailto:office@kekelit.com)

[www.kekelit.com](http://www.kekelit.com)

# Specifications

## Product information

<b>casing DA</b>	140
<b>VPE1</b>	1,00 STK
<b>weight</b>	6,880 KGM
<b>text</b>	STEELFIX-PE stainless steel elbow 1.4401
<b>INTRNR</b>	73071990
<b>main material group</b>	STEELFIX CX/PE
<b>material group</b>	STEELFIX CX/PE stainless steel pipes and fittings
<b>code</b>	NP2020

<b>Art. No</b>	<b>label</b>
3000685	76.1x2.0