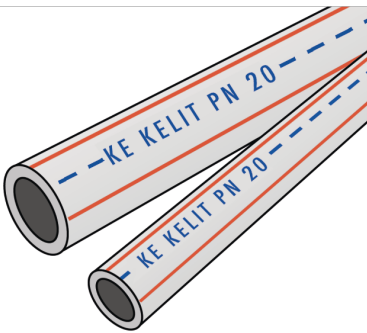


KELEN

KE00 KELEN PP-RCT pipe - PN20 20x3,4

1502001

Areas of application



KELEN PP-RCT drinking water pipe system conforming to ÖNORM EN ISO 15874 made of polypropylene (PP-RCT)

Application area: 20°C/20 bar - 70°C/10 bar

Colour: grey and 3 co-extruded longitudinal red lines

Length: 4m

Approvals:



KE KELIT GmbH

A 4020 Linz, Ignaz-Mayer-Straße 17, Austria, Europe

PHONE +43 (0) 50 779 E-MAIL office@kekelit.com

www.kekelit.com

Specifications

Article information

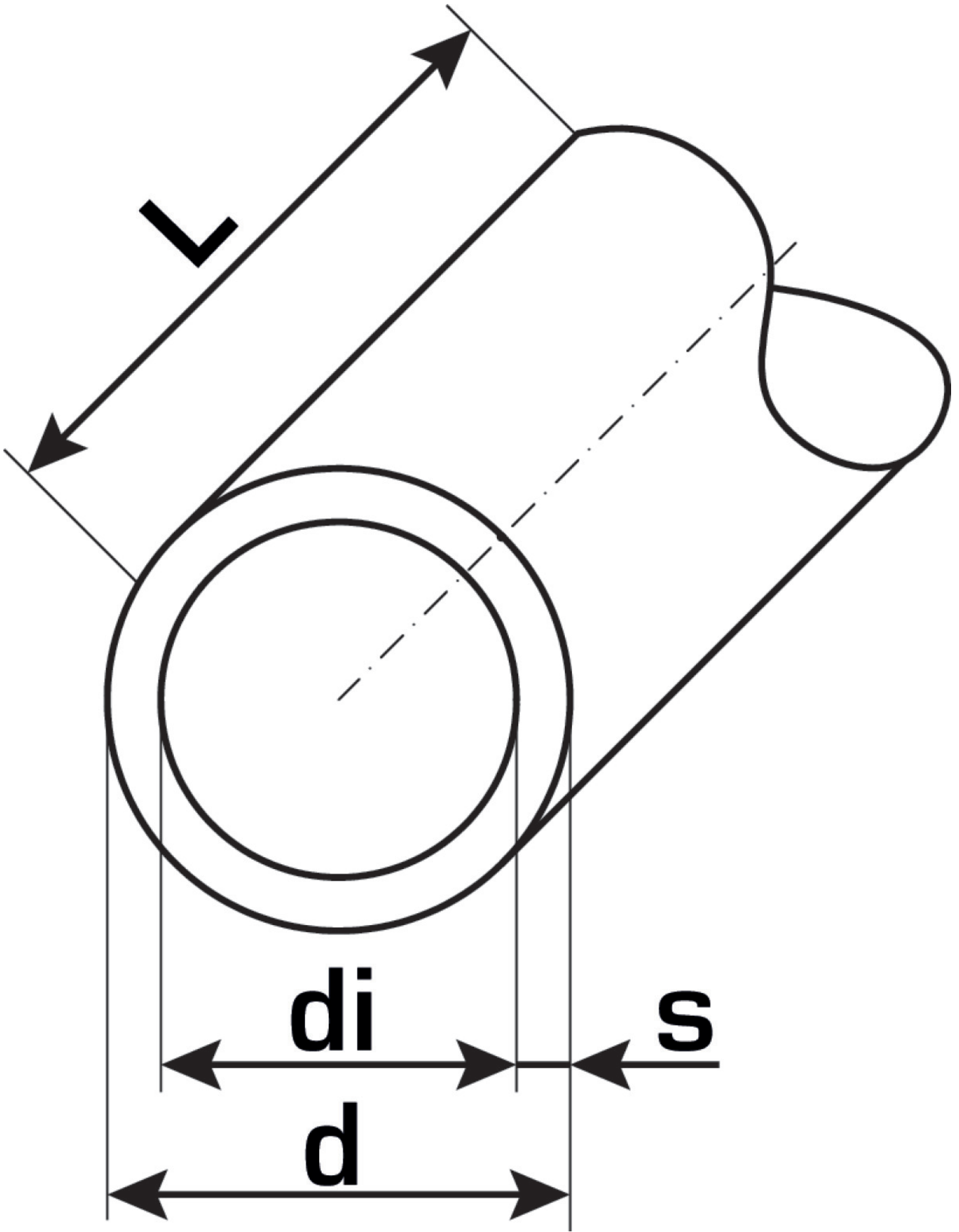
port 1	Rohrende
port 2	Rohrende
color	grau

Technical properties

pipe weight	0,17 kg/m
pipe contents	0,14 l/m
PN	PN 20
lambda pipe	0,24 W/(m.K)
wall rawness	0,007 mm
expansion coefficient	0,14 mm/(m.K)

Product information

DIM2	13,2
VPE1	80 BND
VPE2	6400 HOB
L	4 m
weight	0,17 KGM
text	KELEN PP-RCT pipe - PN20
INTRNR	39172290
main material group	KELEN
material group	KELEN pipes
code	KE00



Art. No	label	d1 mm	pipe contents l/m	s mm
1502001	20x3,4	20	0,14	3,4



KE KELIT GmbH

A 4020 Linz, Ignaz-Mayer-Straße 17, Austria, Europe

PHONE +43 (0) 50 779 **E-MAIL** office@kekelit.com

www.kekelit.com