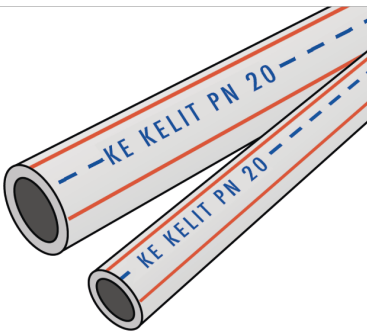


# KELEN

## KE00 KELEN PP-RCT pipe - PN20 50x8,3

1505001

### Areas of application



KELEN PP-RCT drinking water pipe system conforming to ÖNORM EN ISO 15874 made of polypropylene (PP-RCT)

Application area: 20°C/20 bar - 70°C/10 bar

Colour: grey and 3 co-extruded longitudinal red lines

Length: 4m

### Approvals:



KE KELIT GmbH

A 4020 Linz, Ignaz-Mayer-Straße 17, Austria, Europe

PHONE +43 (0) 50 779 E-MAIL [office@kekelit.com](mailto:office@kekelit.com)

[www.kekelit.com](http://www.kekelit.com)

# Specifications

## Article information

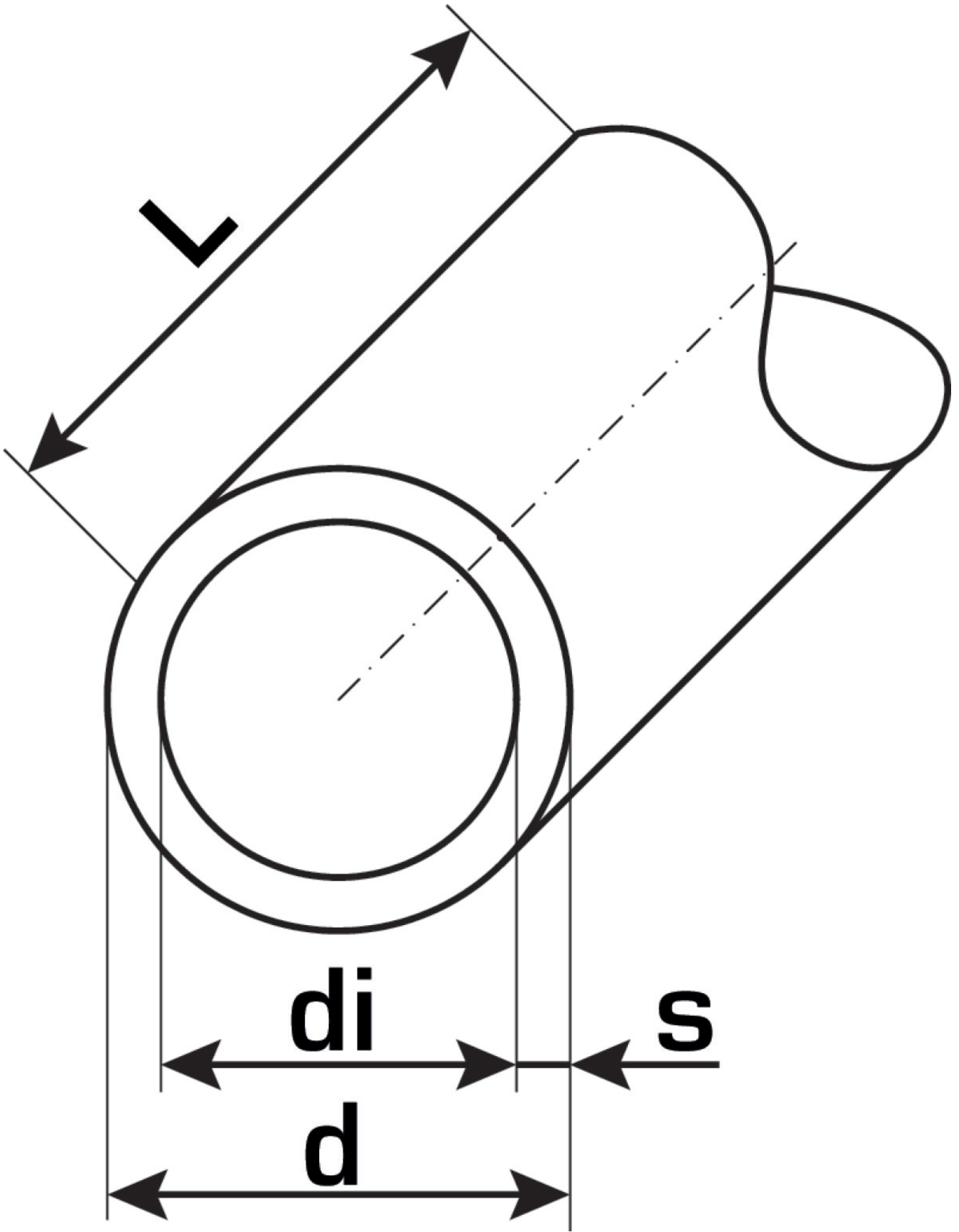
port 1	Rohrende
port 2	Rohrende
color	grau

## Technical properties

pipe weight	1,04 kg/m
pipe contents	0,88 l/m
PN	PN 20
lambda pipe	0,24 W/(m.K)
wall rawness	0,007 mm
expansion coefficient	0,14 mm/(m.K)

## Product information

DIM2	33,4
VPE1	20 BND
L	4 m
weight	1,04 KGM
text	KELEN PP-RCT pipe - PN20
INTRNR	39172290
main material group	KELEN
material group	KELEN pipes
code	KE00



Art. No	label	d1 mm	pipe contents l/m	s mm
1505001	50x8,3	50	0,88	8,3



**KE KELIT GmbH**

A 4020 Linz, Ignaz-Mayer-Straße 17, Austria, Europe

**PHONE** +43 (0) 50 779 **E-MAIL** [office@kekelit.com](mailto:office@kekelit.com)

[www.kekelit.com](http://www.kekelit.com)