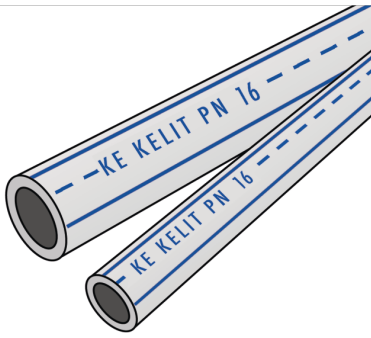


# KELEN

## KE08 KELEN PP-RCT pipe - PN16 20x2,8

1682001

### Areas of application



KELEN PP-RCT drinking water pipe system conforming to ÖNORM EN ISO 15874 made of polypropylene (PP-RCT)

Application area: 20°C/16 bar - 70°C/10 bar

Colour: grey and 3 co-extruded longitudinal blue lines

Length: 4m

### Approvals:



KE KELIT GmbH

A 4020 Linz, Ignaz-Mayer-Straße 17, Austria, Europe

PHONE +43 (0) 50 779 E-MAIL [office@kekelit.com](mailto:office@kekelit.com)

[www.kekelit.com](http://www.kekelit.com)

# Specifications

## Article information

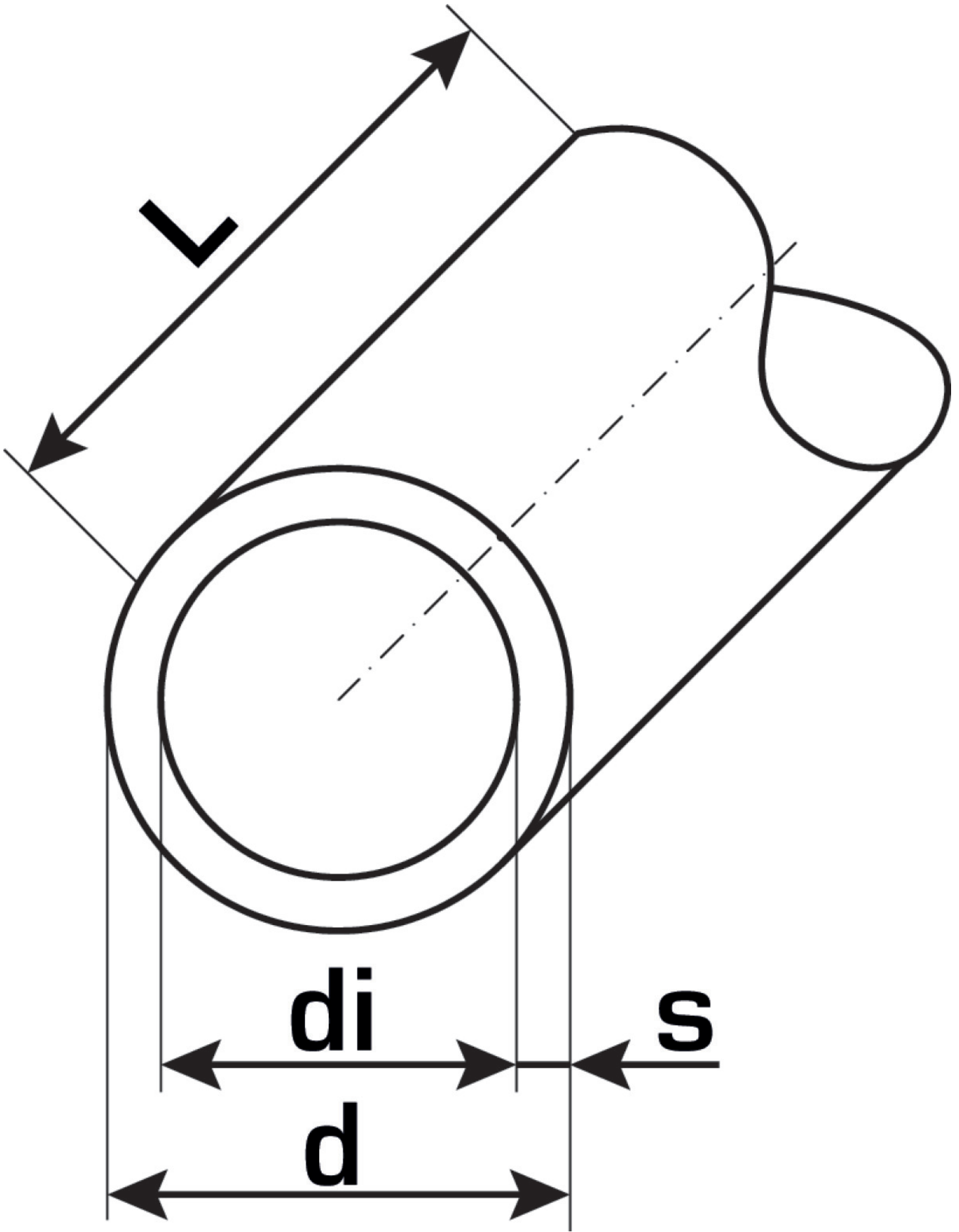
<b>port 1</b>	Rohrende
<b>port 2</b>	Rohrende
<b>color</b>	grau

## Technical properties

<b>pipe weight</b>	0,15 kg/m
<b>pipe contents</b>	0,16 l/m
<b>PN</b>	PN 16
<b>lambda pipe</b>	0,24 W/(m.K)
<b>wall rawness</b>	0,007 mm
<b>expansion coefficient</b>	0,15 mm/(m.K)

## Product information

<b>DIM2</b>	14,4
<b>VPE1</b>	80 BND
<b>VPE2</b>	6400 HOB
<b>L</b>	4 m
<b>weight</b>	0,15 KGM
<b>text</b>	KELEN PP-RCT pipe - PN16
<b>INTRNR</b>	39172290
<b>main material group</b>	KELEN
<b>material group</b>	KELEN pipes
<b>code</b>	KE08



Art. No	label	d1 mm	pipe contents l/m	s mm
1682001	20x2,8	20	0,16	2,8



**KE KELIT GmbH**

A 4020 Linz, Ignaz-Mayer-Straße 17, Austria, Europe

**PHONE** +43 (0) 50 779 **E-MAIL** [office@kekelit.com](mailto:office@kekelit.com)

[www.kekelit.com](http://www.kekelit.com)