

KELEN

KE11 KELEN PP-RCT adaptor male 32x1"S

2598501

Areas of application



KELEN PP-RCT Polyfusion welding fitting for connecting pipes with fittings made of the same material (no reduction of internal diameter), with injected male thread made of dezincification-resistant brass, non-porous metal plating, thread conforms to ÖNORM EN 10226

System parts marked with an "S" are produced with a wrench attachment connection.

Approvals:



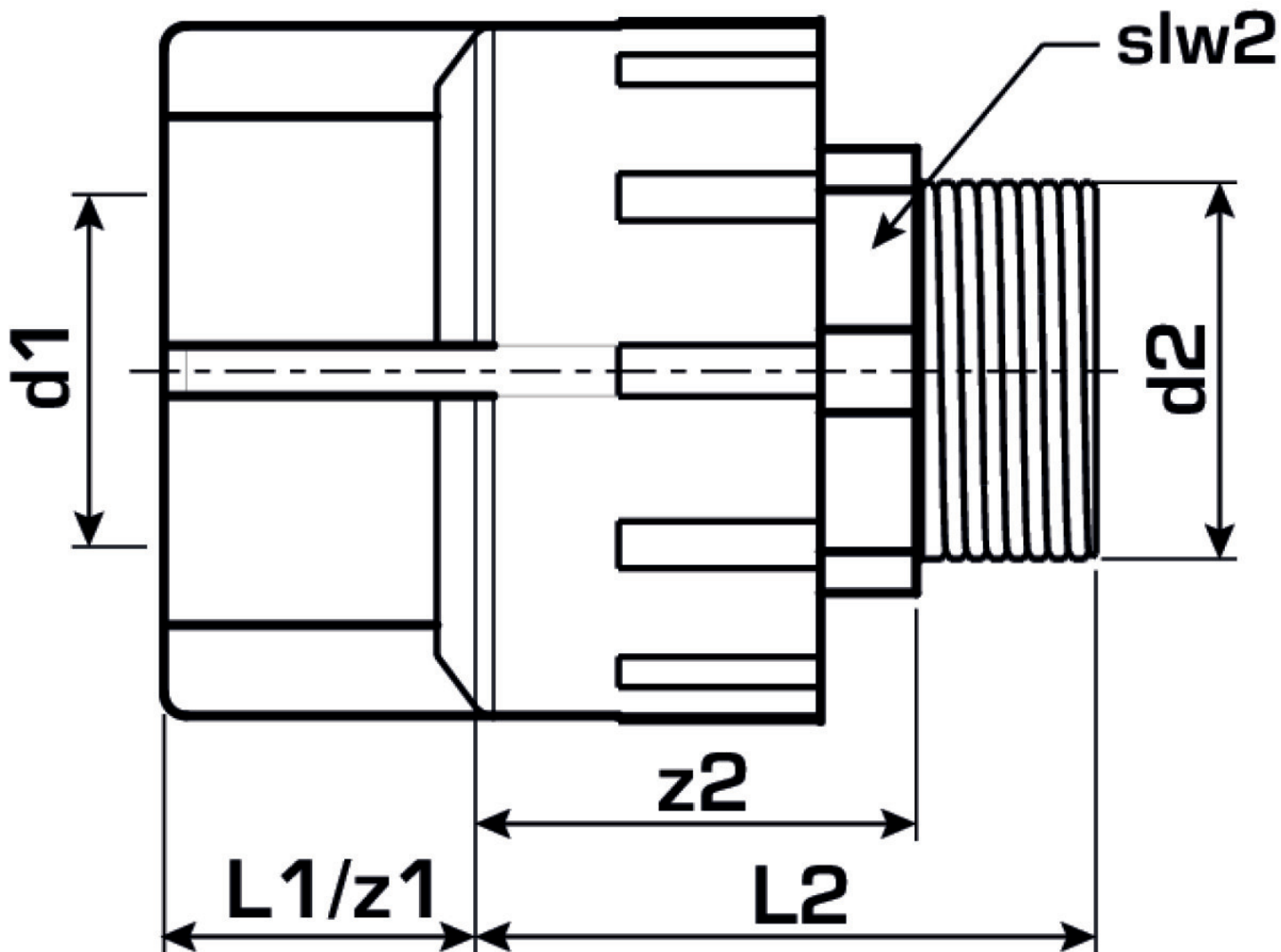
Specifications

Article information

| | |
|-----------|----------------------------|
| port 1 | Kunststoffschweißmuffe |
| port 2 | Außengewinde konisch (NPT) |
| execution | 2-teilig |
| design | gerade |

Product information

| | |
|---------------------|---------------------------|
| VPE1 | 5 SA1 |
| VPE2 | 30 KT1 |
| VPE3 | 120 KT2 |
| VPE4 | 2880 PAL |
| weight | 0,385 KGM |
| text | KELEN PP-RCT adaptor male |
| INTRNR | 39174000 |
| main material group | KELEN |
| material group | KELEN metal fittings |
| code | KE11 |



| Art. No | label | d2 | d1 mm | L1 mm | L2 mm | z1 mm | z2 mm | slw2 |
|---------|--------|----------------|-------|-------|-------|-------|-------|------|
| 2598501 | 32x1"S | 1 Zoll (25) | 32 | 25 | 60 | 25 | 42 | 39 |