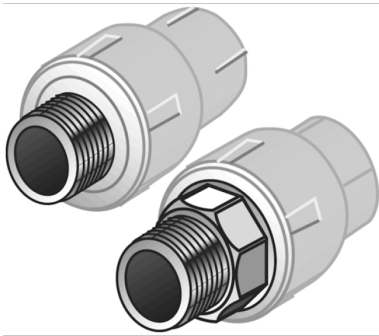


KELEN

KE11 KELEN PP-RCT adaptor male 40x1"S

2598801

Areas of application



KELEN PP-RCT Polyfusion welding fitting for connecting pipes with fittings made of the same material (no reduction of internal diameter), with injected male thread made of dezincification-resistant brass, non-porous metal plating, thread conforms to ÖNORM EN 10226

System parts marked with an "S" are produced with a wrench attachment connection.

Approvals:



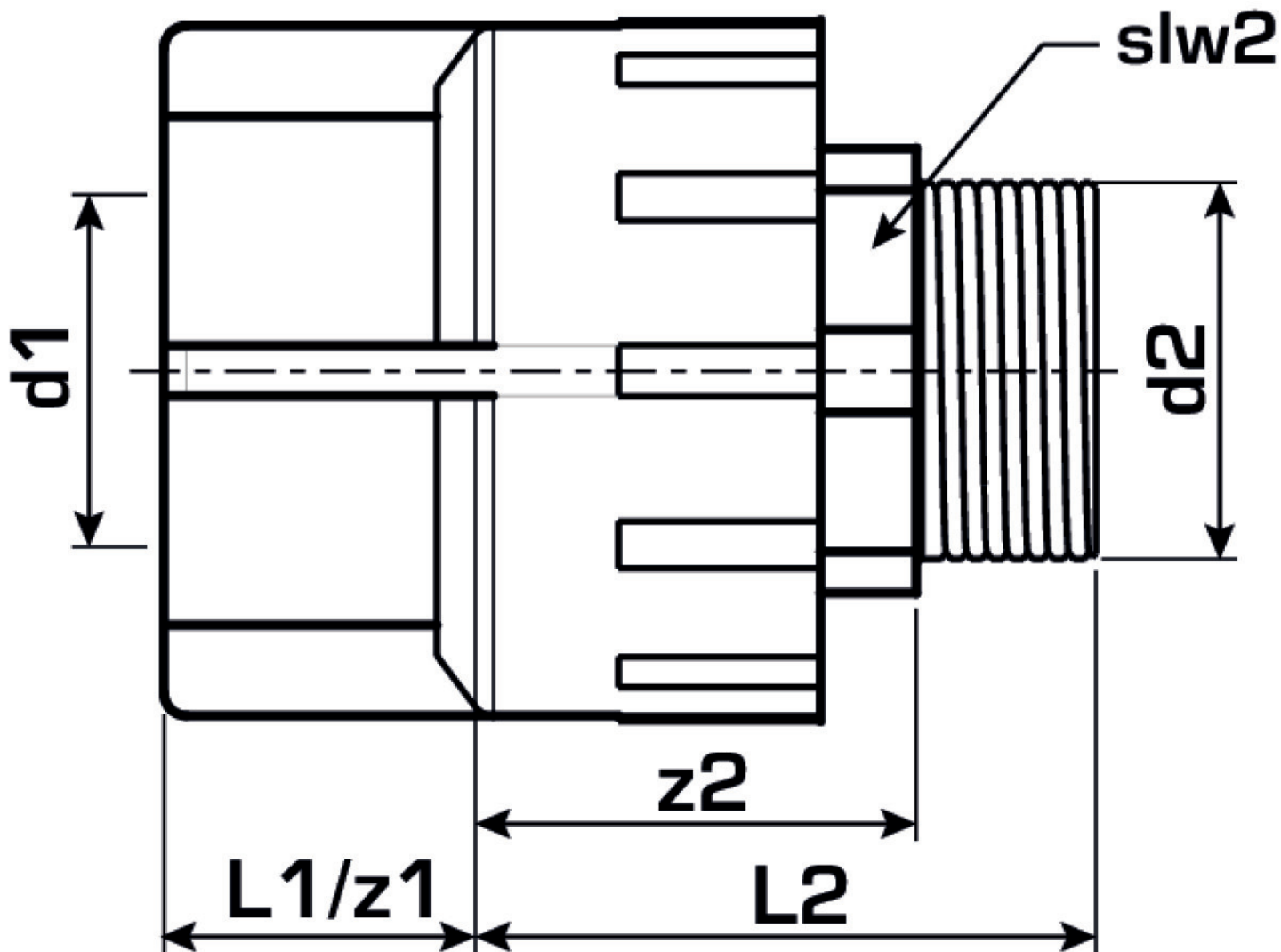
Specifications

Article information

port 1	Kunststoffschweißmuffe
port 2	Außengewinde konisch (NPT)
execution	2-teilig
design	gerade

Product information

VPE1	2 SA1
VPE2	16 KT1
VPE3	64 KT2
VPE4	1536 PAL
weight	0,415 KGM
text	KELEN PP-RCT adaptor male
INTRNR	39174000
main material group	KELEN
material group	KELEN metal fittings
code	KE11



Art. No	label	d2	d1 mm	L1 mm	L2 mm	z1 mm	z2 mm	slw2
2598801	40x1"S	1 Zoll (25)	40	26	54	26	38	39