

# KELEN

## KE23 KELEN PP-RCT elbow adapter 90° female 32x1"S

2608501

### Areas of application



KELEN PP-RCT Polyfusion welding fitting for connecting pipes with fittings made of the same material (no reduction of internal diameter), with injected male thread made of dezincification-resistant brass, non-porous metal plating, threads conform to ÖNORM EN 10226

System parts marked with an "S" are produced with a wrench attachment connection

Do NOT connect to threaded pipes or to cast iron fittings!

## Approvals:



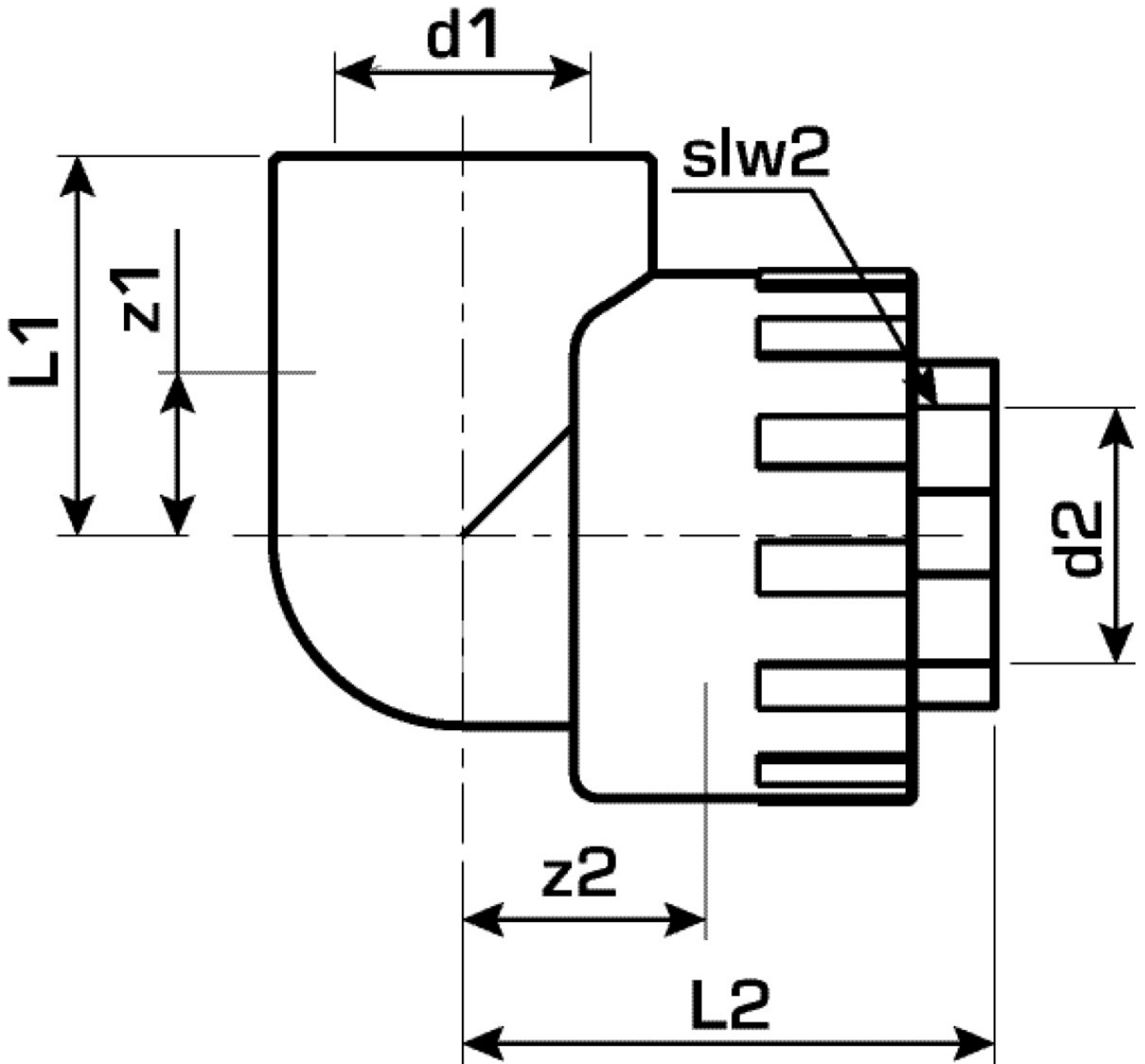
# Specifications

## Article information

port 1	Kunststoffschweißmuffe
port 2	Innengewinde zylindrisch BSPT-Rp (ISO 7-1 / EN 10226-1)
execution	2-part
design	Bogen
angle	90 °

## Product information

VPE1	5,00 SA1
VPE2	30,00 KT1
VPE3	120,00 KT2
VPE4	2880,00 PAL
weight	0,220 KGM
text	KELEN PP-RCT elbow adapter 90° female
INTRNR	39174000
main material group	KELEN
material group	KELEN metal fittings
code	KE23



Art. No	label	d1 mm	L1 mm	L2 mm	z1 mm	z2 mm	slw2 mm
2608501	32x1"S	32	44	54	20	38	39