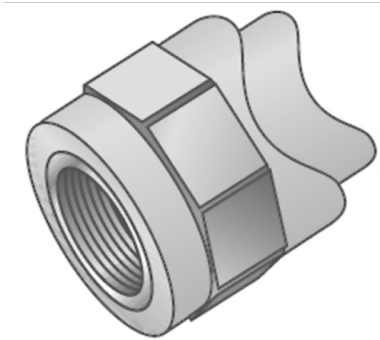


KELEN

KE43 KELEN saddle fitting female 40-50x1/2"

2472051

Areas of application



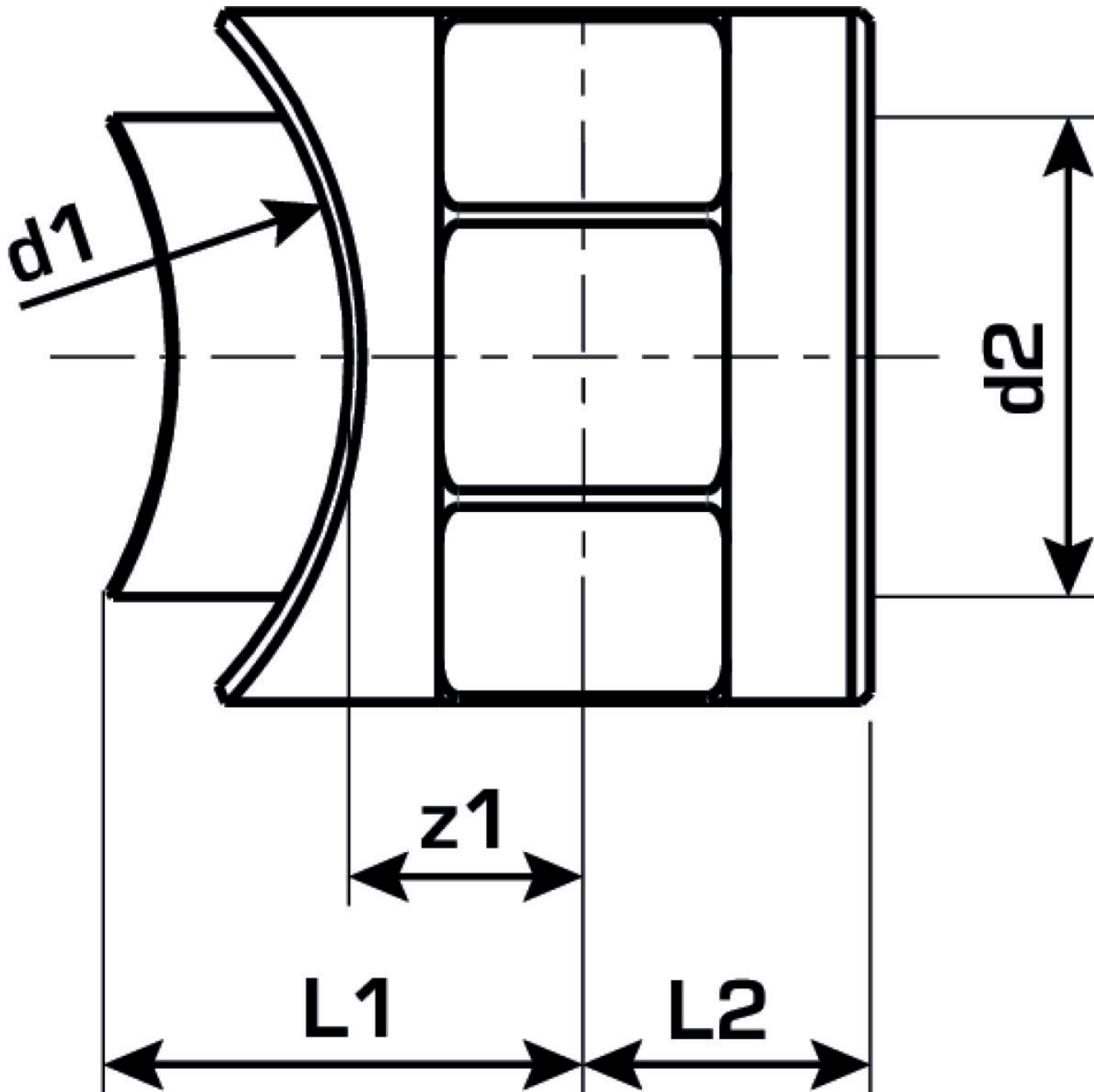
KELEN Polyfusion welding fitting for connecting pipes to fittings made of the same material (no reduction of internal diameter), with injected female thread made of dezincification-resistant brass, non-porous metal plating, threads conform to ÖNORM EN 10226. For welding directly to pipelines that have already been installed; the welding is carried out with a WZ124 saddle welding tool. DO NOT screw in threaded pipes and cast iron fittings!

Approvals:



Specifications

Product information	
VPE1	5 SA1
VPE2	80 KT1
VPE3	320 KT2
VPE4	7680 PAL
weight	0,062 KGM
text	KELEN saddle fitting female
INTRNR	39174000
main material group	KELEN
material group	KELEN metal fittings
code	KE43



Art. No	label	d	L2 mm	z1 mm
2472051	40-50x1/2"	1/2 Zoll (15)	15	13