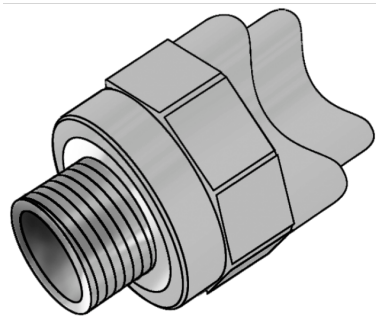


KELEN

KE44 KELEN saddle fitting male 40-50x1/2"

2477051

Areas of application



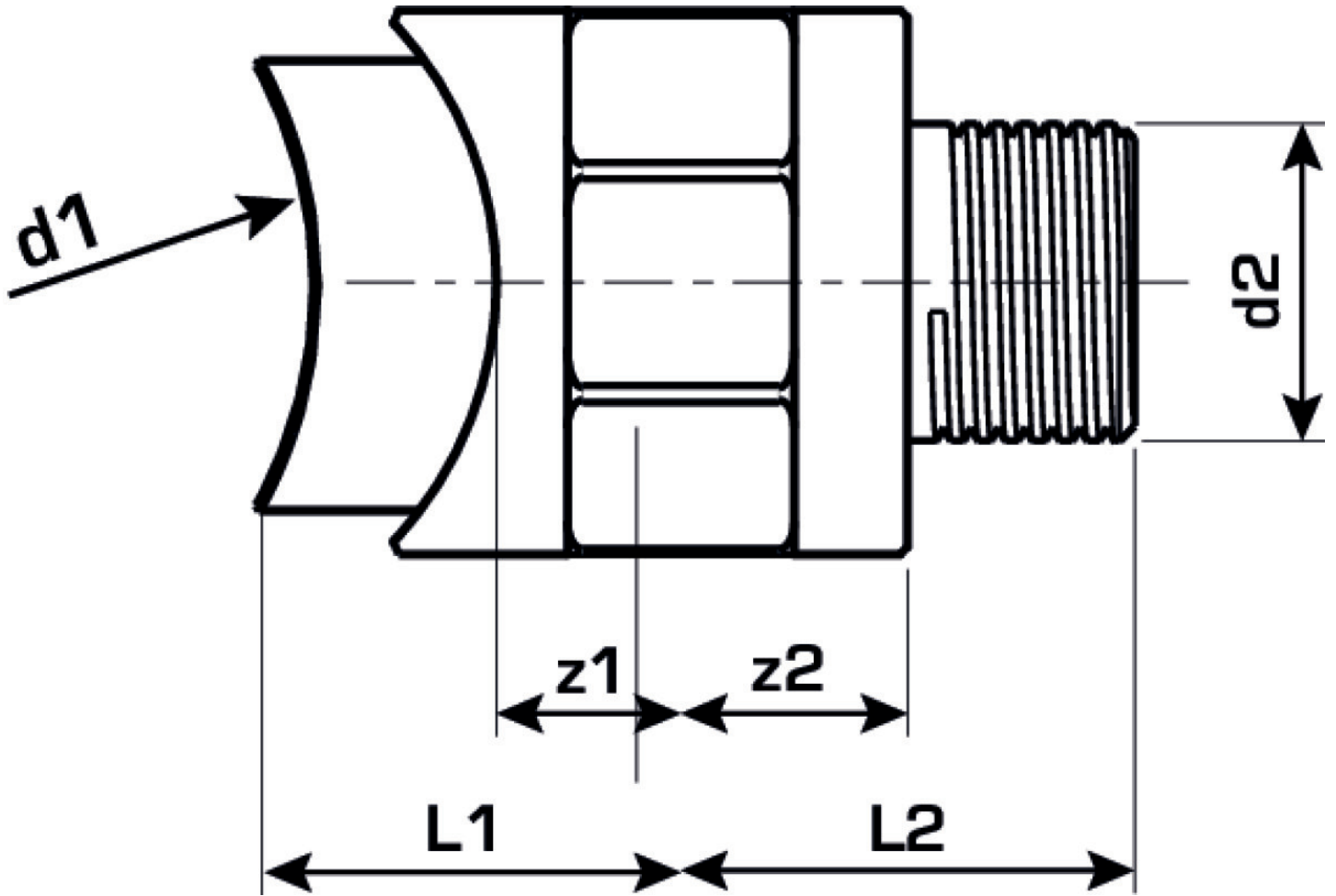
KELEN Polyfusion welding fitting for connecting pipes to fittings made of the same material (no reduction of internal diameter), with injected male thread made of dezincification-resistant brass, non-porous metal plating, threads conform to ÖNORM EN 10226. For welding directly to pipelines that have already been installed; the welding is carried out with a WZ124 saddle welding tool.

Approvals:



Specifications

Product information	
VPE1	5 SA1
VPE2	80 KT1
VPE3	320 KT2
VPE4	7680 PAL
weight	0,074 KGM
text	KELEN saddle fitting male
INTRNR	39174000
main material group	KELEN
material group	KELEN metal fittings
code	KE44



Art. No	label	d	L2 mm	z1 mm	z2 mm
2477051	40-50x1/2"	1/2 Zoll (15)	30	13	15