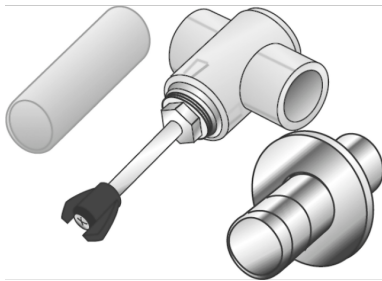


KELEN

KE50 KELEN PP-RCT shut-off valve with stem 20x1/2"

2660101

Areas of application



KELEN PP-RCT Polyfusion welding fitting for connecting pipes with fittings made of the same material (no reduction of internal diameter), service valve with metal seating, incl. chrome-plated end cap, rosette and protection cap.

Approvals:



KE KELIT GmbH

A 4020 Linz, Ignaz-Mayer-Straße 17, Austria, Europe

PHONE +43 (0) 50 779 E-MAIL office@kekelit.com

www.kekelit.com

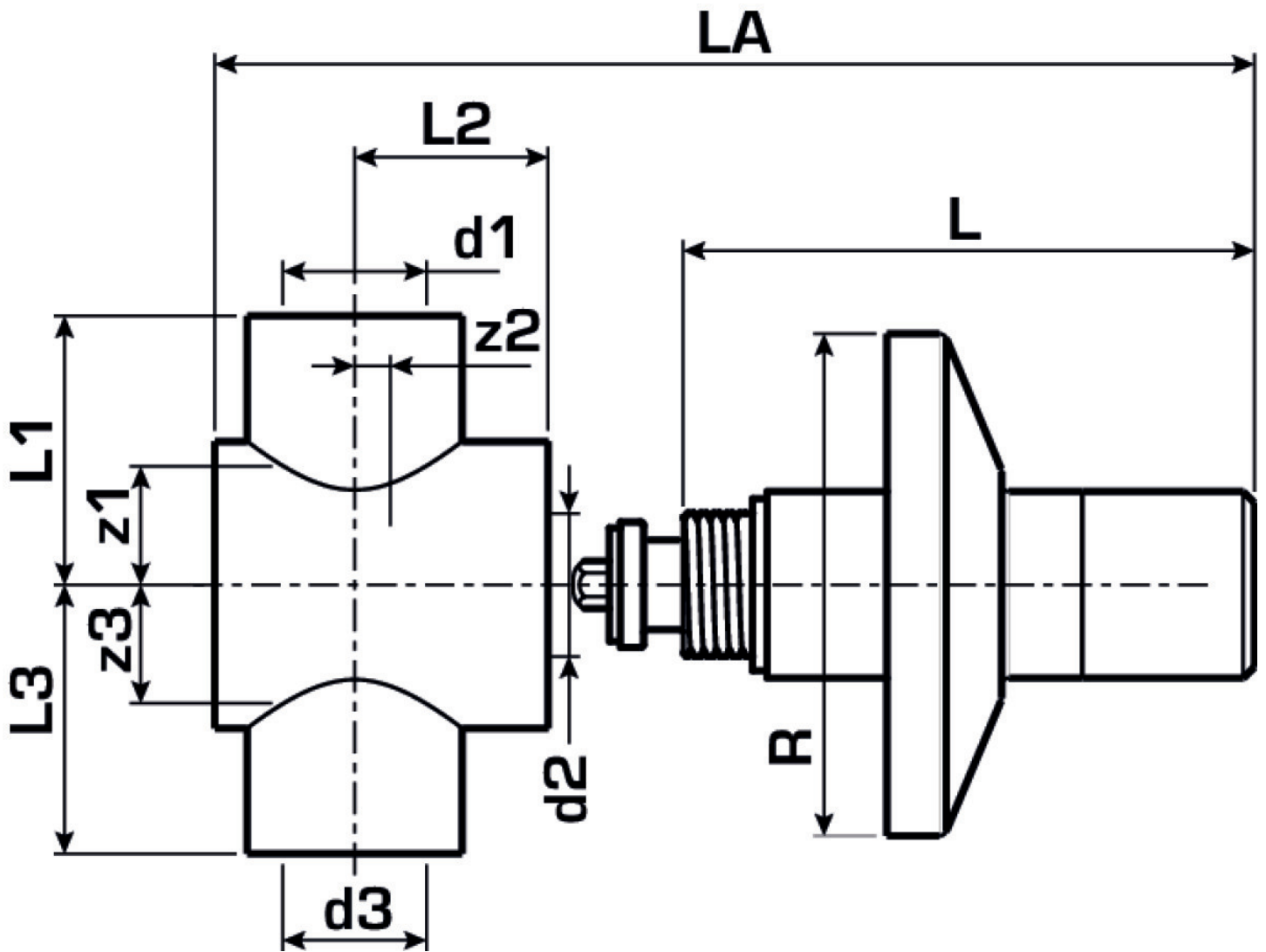
Specifications

Article information

port 1	Kunststoffschweißmuffe
port 2	Innengewinde
port 3	Kunststoffschweißmuffe
execution	T-Stück
angle	90 °

Product information

VPE1	1 SA1
VPE2	15 KT1
VPE3	60 KT2
VPE4	1440 PAL
weight	0,291 KGM
text	KELEN PP-RCT shut-off valve with stem
INTRNR	39174000
main material group	KELEN
material group	KELEN metal fittings
code	KE50



Art. No	label	d1 mm	d2 Zoll	d3 mm	d1 mm	L1 mm	L1 mm	L2 mm	L3 mm	L1 / L3 mm	z1 mm	z2 mm	z3 mm	z2 mm
26601C	20x1/2	20	1/2"	20	20	126	36	112	36	37	21	17	21	5