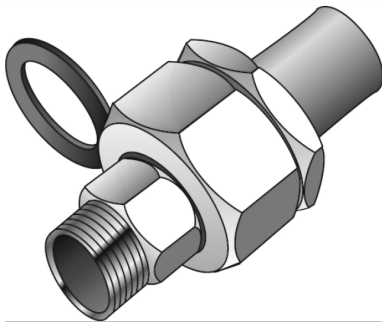


KELEN

KE55 KELEN PP-RCT union plastic/metal male 25x3/4"

2742501

Areas of application



KELEN PP-RCT Polyfusion welding fitting, male, made from dezincification-resistant brass and non-porous metal-plating, flat sealing, incl. EPDM seal, thread conforms to ÖNORM EN 10226 plastic socket or EPDM seal separately available!

Approvals:



KE KELIT GmbH

A 4020 Linz, Ignaz-Mayer-Straße 17, Austria, Europe

PHONE +43 (0) 50 779 E-MAIL office@kekelit.com

www.kekelit.com

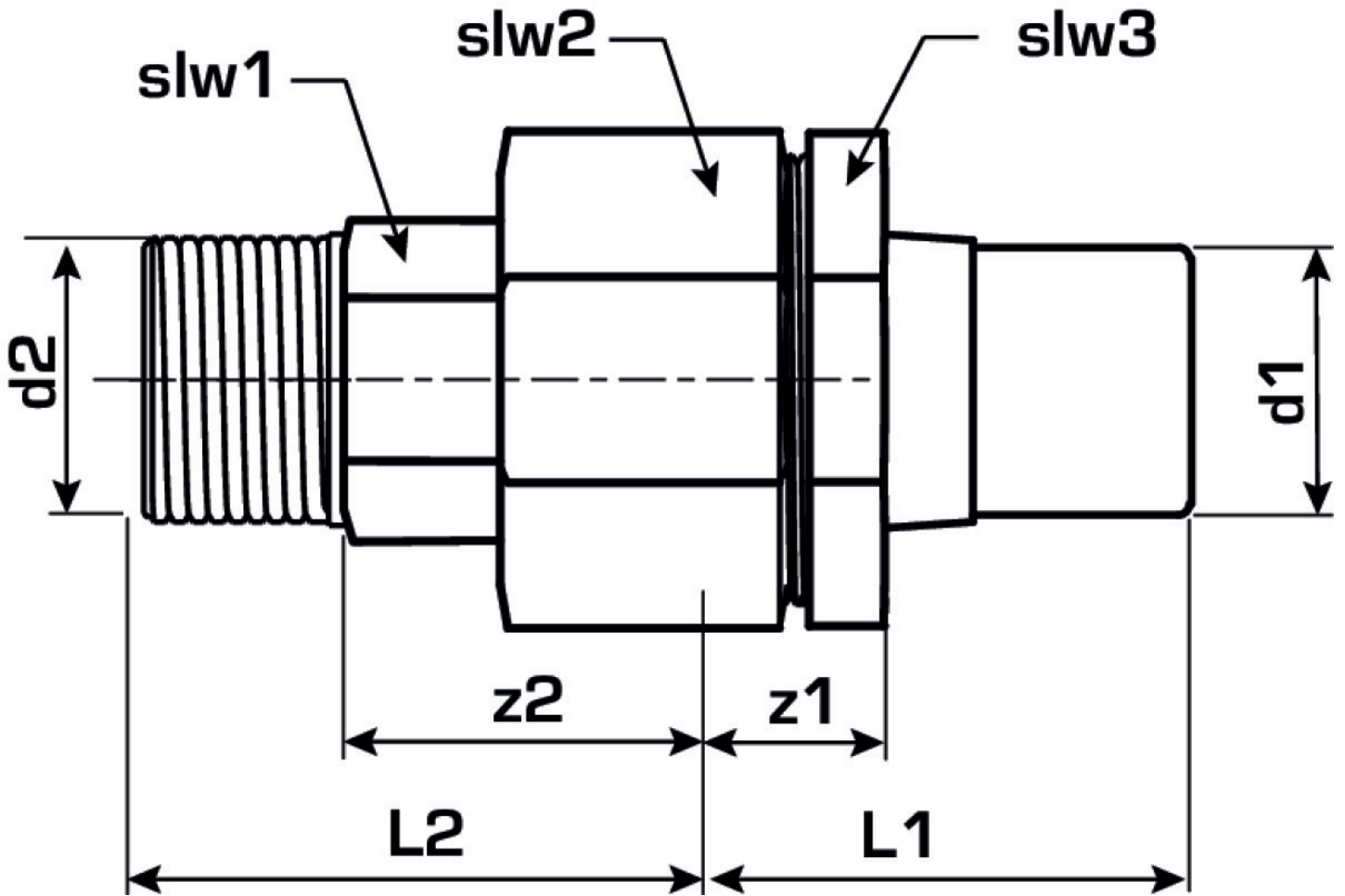
Specifications

Article information

| | |
|--------|----------------------------|
| port 1 | Kunststoffschweißmuffe |
| port 2 | Außengewinde konisch (NPT) |
| design | gerade |

Product information

| | |
|---------------------|---------------------------------------|
| VPE1 | 5 SA1 |
| VPE2 | 30 KT1 |
| VPE3 | 120 KT2 |
| VPE4 | 2880 PAL |
| weight | 0,362 KGM |
| text | KELEN PP-RCT union plastic/metal male |
| INTRNR | 39174000 |
| main material group | KELEN |
| material group | KELEN metal fittings |
| code | KE55 |



| Art. No | label | d2 | d1 mm | L1 mm | L2 mm | z1 mm | z2 mm | slw1 mm | slw2 |
|---------|---------|------------------|-------|-------|-------|-------|-------|---------|------|
| 2742501 | 25x3/4" | 3/4 Zoll (20) | 25 | 34 | 39 | 27 | 24 | 46 | 46 |