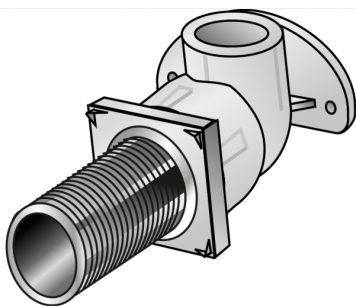


KELEN

KE81LA KELEN PP-RCT wall bracket fitting elbow 90° male 20x1/2"x50

2620501

Areas of application



KELEN PP-RCT Polyfusion welding fitting for connecting pipes with fittings made of the same material (no reduction of internal diameter), with injected male thread made of dezincification-resistant brass, non-porous metal plating, thread conforms to ÖNORM EN 10226, on the metal side extended by 50mm

Approvals:



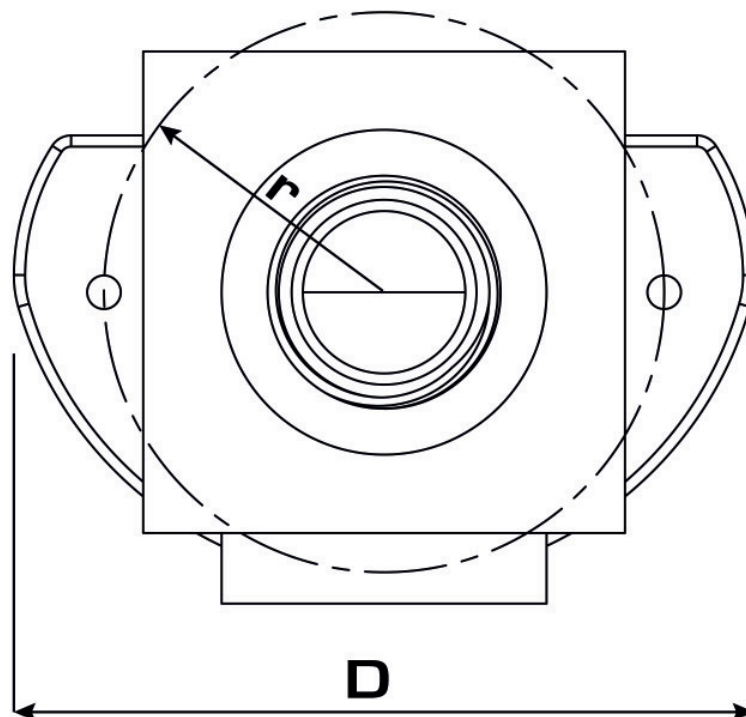
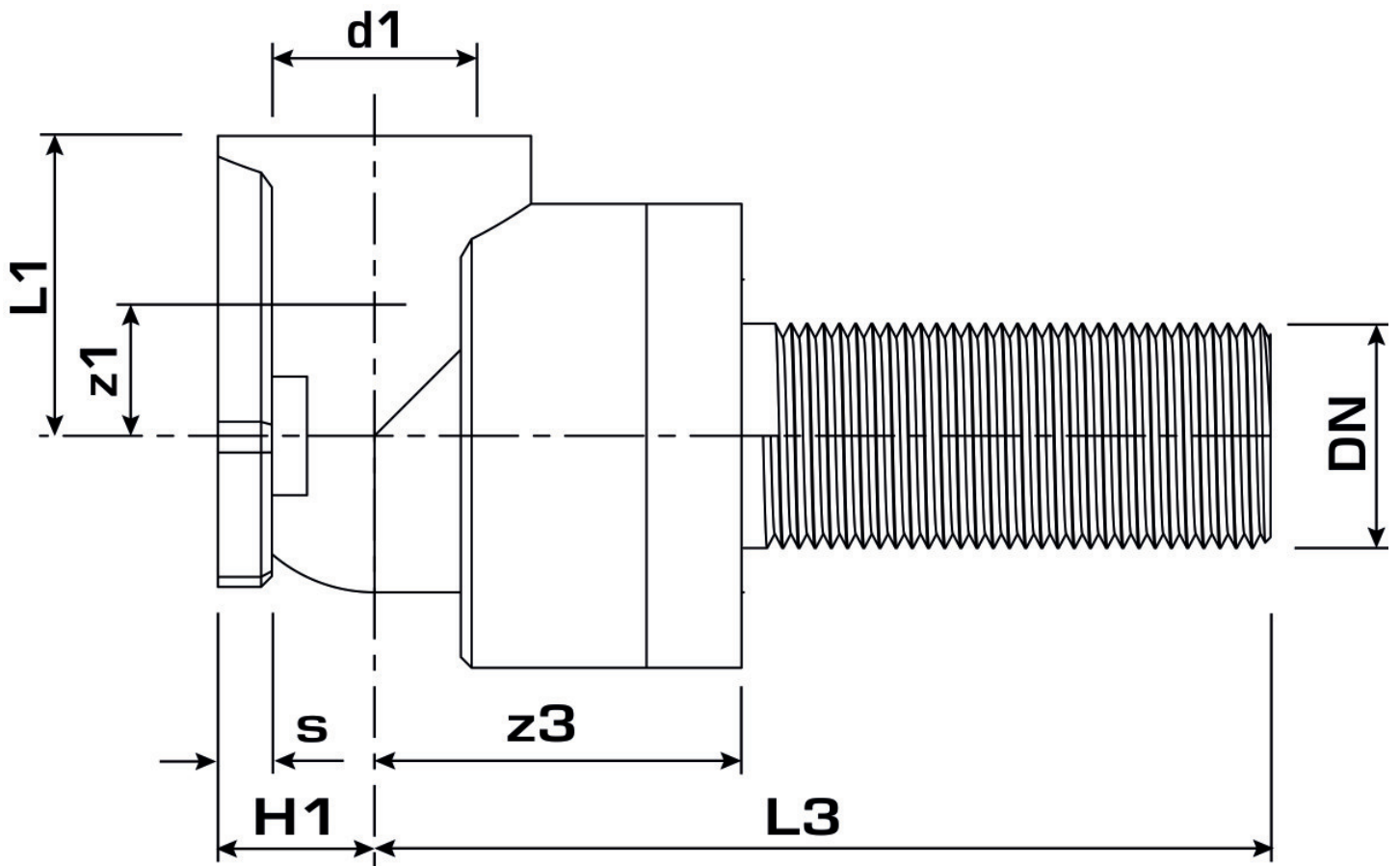
Specifications

Article information

port 1	Kunststoffschweißmuffe
design	Durchgängig rechtwinklig

Product information

VPE1	5,00 SA1
weight	0,158 KGM
text	KELEN PP-RCT wall bracket fitting elbow 90° male
INTRNR	39174000
main material group	KELEN
material group	KELEN metal fittings
code	KE81LA



Art. No	label	d1 mm	L1 mm	L3 mm	z1 mm	z3 mm
2620501	20x1/2"x50	20	28	75	8	26



KE KELIT GmbH

A 4020 Linz, Ignaz-Mayer-Straße 17, Austria, Europe

PHONE +43 (0) 50 779 **E-MAIL** office@kekelit.com

www.kekelit.com