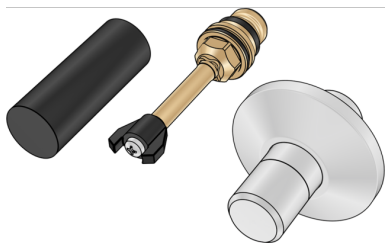


# KELEN

## K50C KELIT shut-off valve stem 1/2"

2660850

### Areas of application



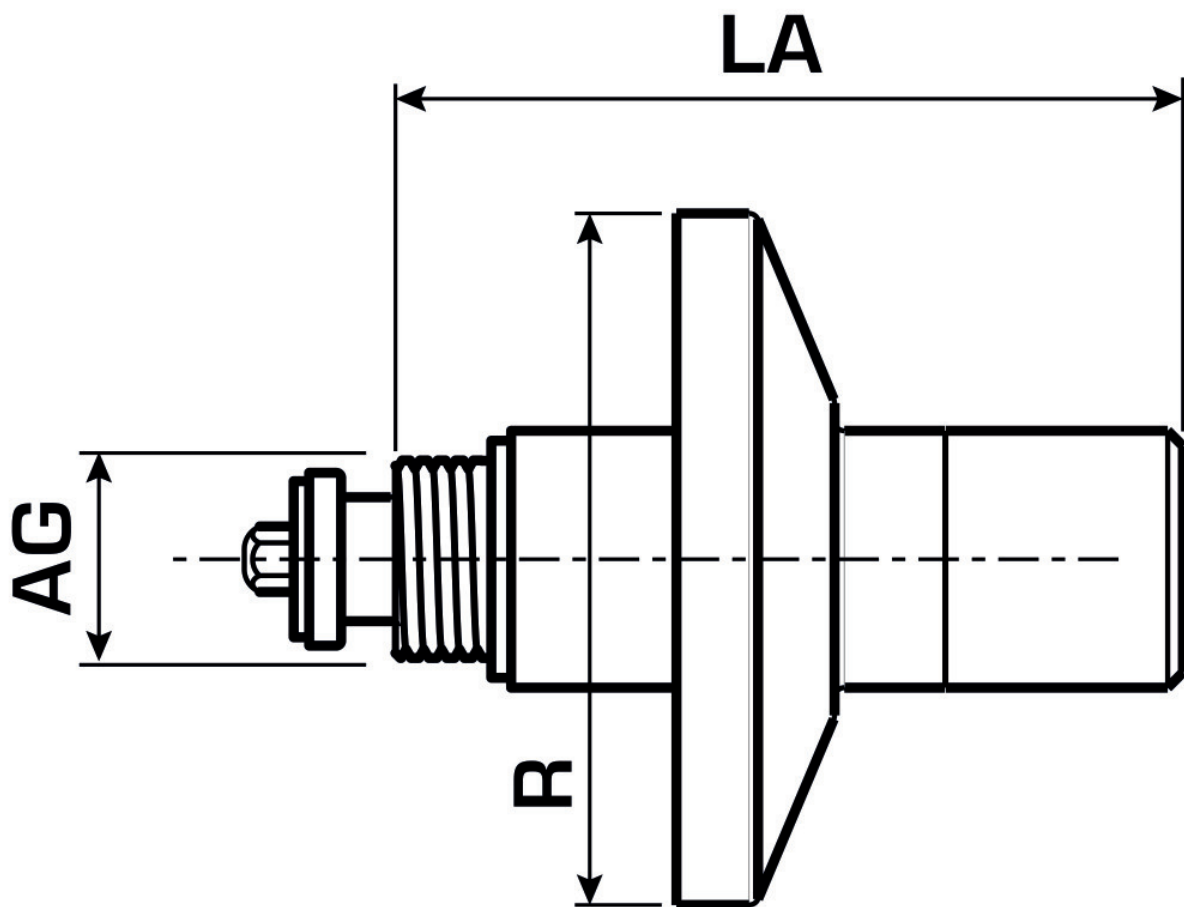
Shut-off valve, incl. chrome-plated end cap, rosette and protection cap, compatible with KE50A and KE50P.

### Approvals:



# Specifications

Product information	
VPE1	1,00 SA1
VPE2	25,00 KT1
VPE3	100,00 KT2
VPE4	2400,00 PAL
weight	0,198 KGM
text	KELIT shut-off valve stem
INTRNR	84819000
main material group	KELEN
material group	KELEN accessories
code	K50C



Art. No	label	d1 mm	L1 mm
2660850	1/2"	70	80