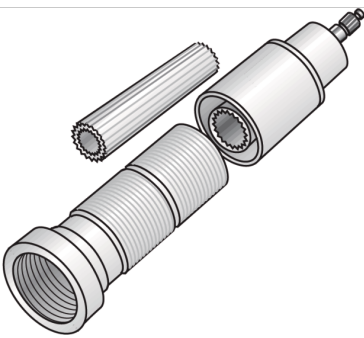


KELEN

K50S KELIT standard extension 1/2" and 3/4"

2661050

Areas of application



Adjustable extension piece without transparent components up to 150mm, compatible with KE50 and K50C

Approvals:



KE KELIT GmbH

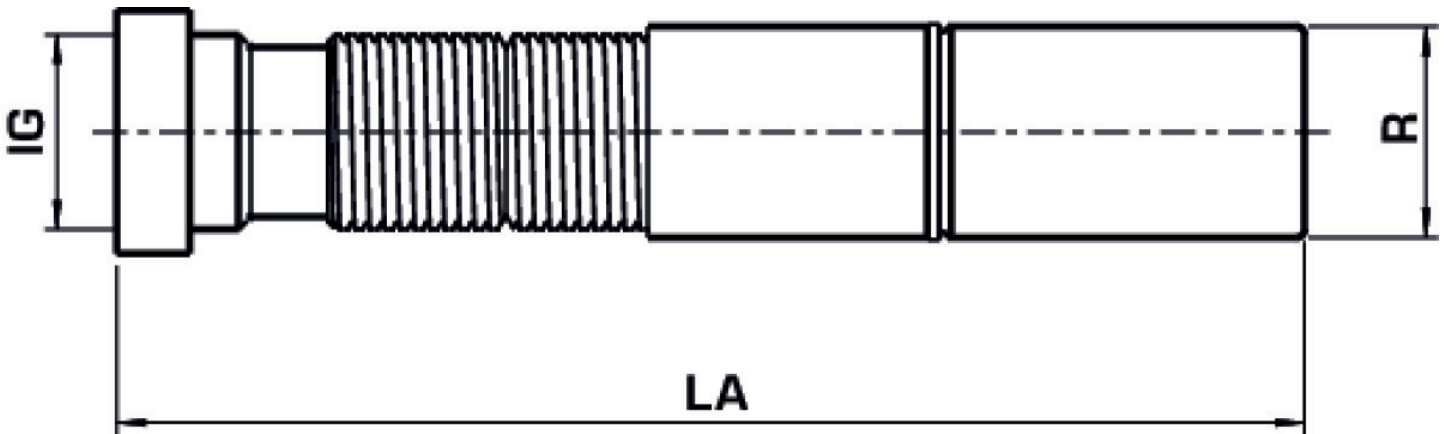
A 4020 Linz, Ignaz-Mayer-Straße 17, Austria, Europe

PHONE +43 (0) 50 779 E-MAIL office@kekelit.com

www.kekelit.com

Specifications

| Product information | |
|---------------------|--------------------------|
| VPE1 | 1 SA1 |
| VPE2 | 20 KT1 |
| VPE3 | 80 KT2 |
| VPE4 | 1920 PAL |
| weight | 0,168 KGM |
| text | KELIT standard extension |
| INTRNR | 84819000 |
| main material group | KELEN |
| material group | KELEN accessories |
| code | K50S |



| Art. No | label | d1 mm | L1 mm |
|---------|---------------|-------|-------|
| 2661050 | 1/2" and 3/4" | 26 | 150 |