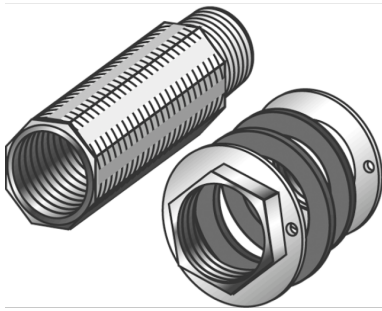


KELEN

K84 KELIT hollow wall connection unit 1/2"xM28

2678000

Areas of application



50mm extension piece made of brass, M28mm male thread, octagonal design, seal and 2 lock nuts.
Do NOT screw in metal threaded pipes or cast iron fittings!

Approvals:



Specifications

Technical properties

insertion depth 1 (es1) 50 mm

Product information

VPE1 5 SA1

VPE2 30 KT1

VPE3 120 KT2

VPE4 2880 PAL

weight 0,204 KGM

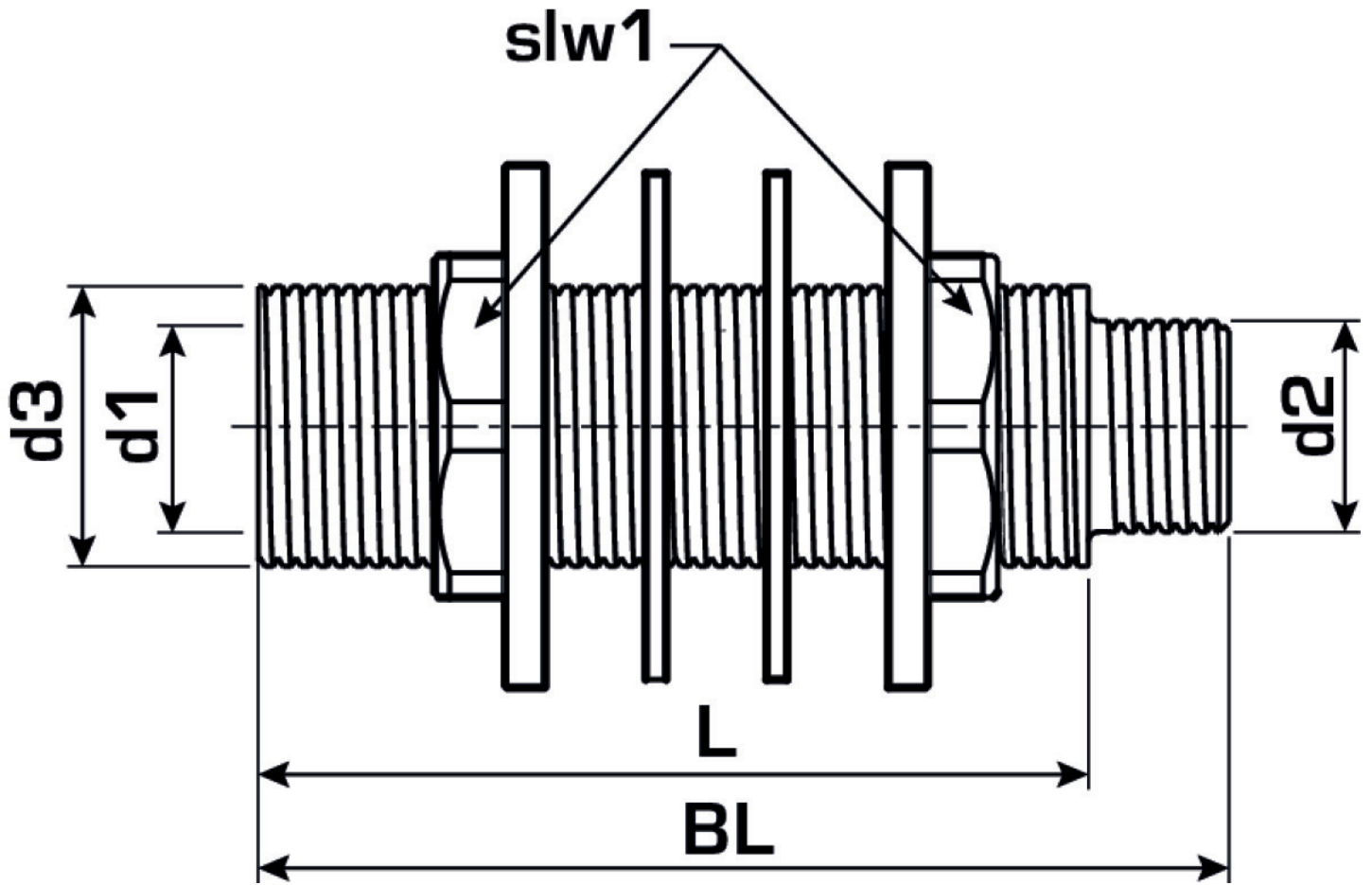
text KELIT hollow wall connection unit

INTRNR 39174000

main material group KELEN

material group KELEN accessories

code K84



| Art. No | label | L1 mm | insertion depth 1 (es1) mm | slw1 mm |
|---------|----------|-------|----------------------------|---------|
| 2678000 | 1/2"xM28 | 64 | 50 | 30 |