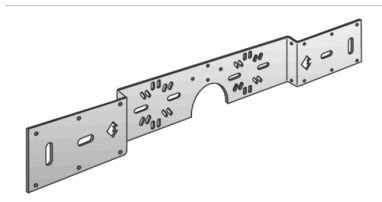


KELEN

K85A KELIT connector rail 8-10/4.5cm

2629090

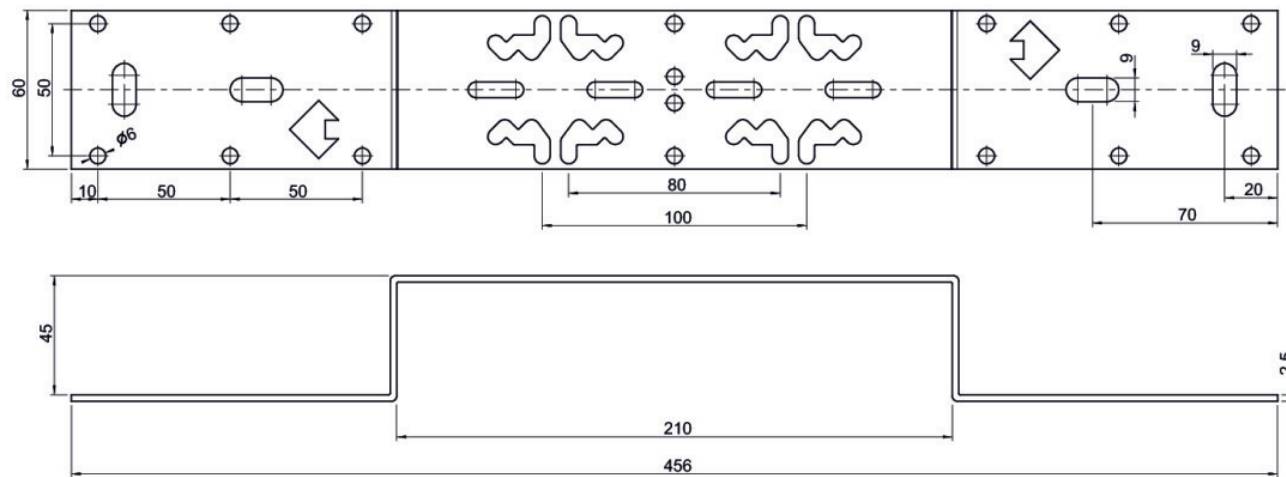
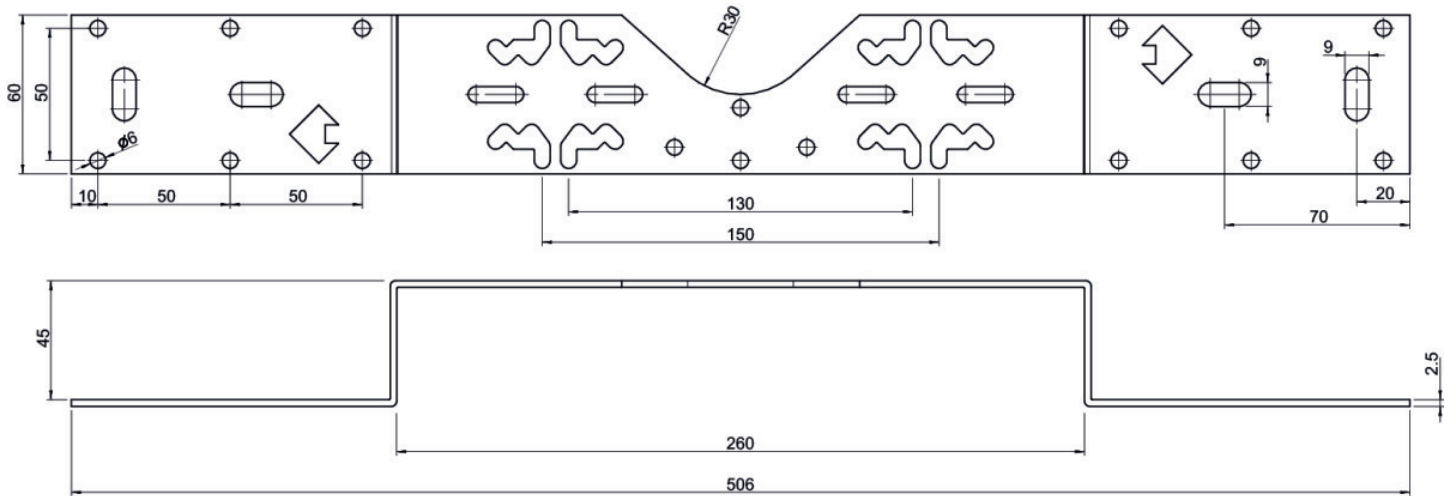
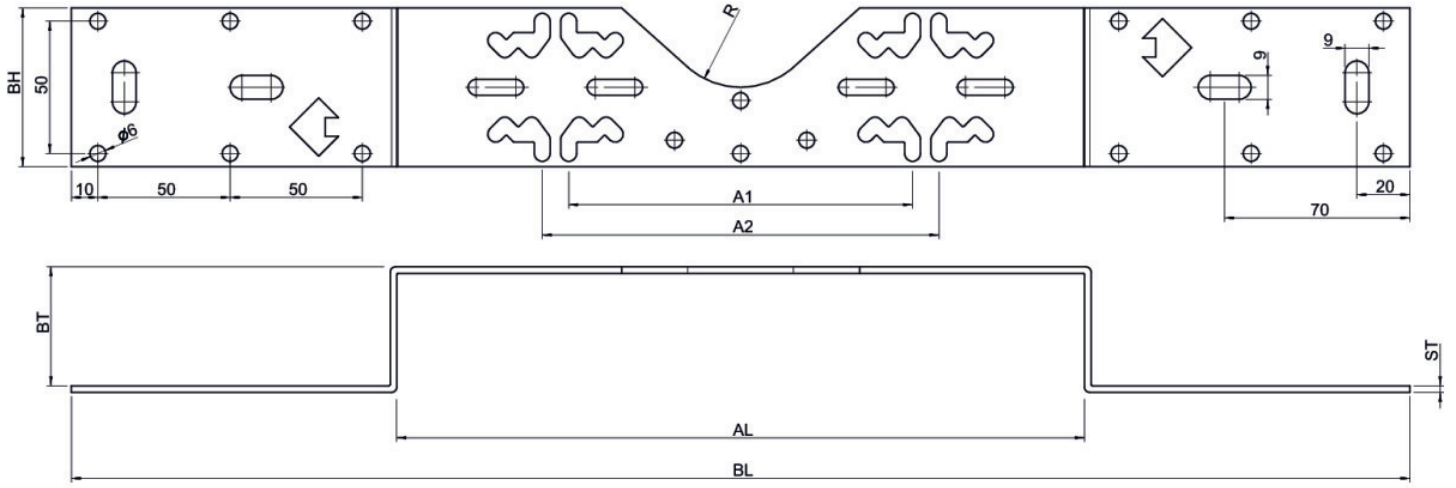
Areas of application



For mounting KELEN, KETRIX, KELOX and STEELOX elbow wall plates, made of galvanized sheet steel

Specifications

Product information	
VPE1	1 KT1
VPE2	15 KT2
weight	0,8 KGM
text	KELIT connector rail
INTRNR	73269098
main material group	KELEN
material group	KELEN accessories
code	K85A



Art. No	label	t
2629090	8-10/4.5cm	45



KE KELIT GmbH

A 4020 Linz, Ignaz-Mayer-Straße 17, Austria, Europe

PHONE +43 (0) 50 779 **E-MAIL** office@kekelit.com

www.kekelit.com