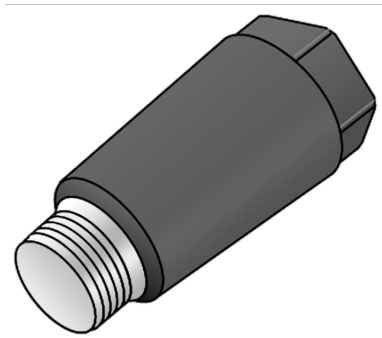


# KELEN

## K95 KELIT stopper 1/2" M

2803120

### Areas of application



KELIT plastic stopper made of plastic with brass thread to securely seal wall outlets, flat sealing incl.

EPDM seal

Colour: black

### Approvals:



KE KELIT GmbH

A 4020 Linz, Ignaz-Mayer-Straße 17, Austria, Europe

PHONE +43 (0) 50 779 E-MAIL [office@kekelit.com](mailto:office@kekelit.com)

[www.kekelit.com](http://www.kekelit.com)

# Specifications

## Technical properties

**suitable for pipe diameter** 12,7 mm

## Product information

**VPE1** 10,00 SA1

**VPE2** 80,00 KT1

**VPE3** 480,00 KT2

**VPE4** 7680,00 PAL

**weight** 0,052 KGM

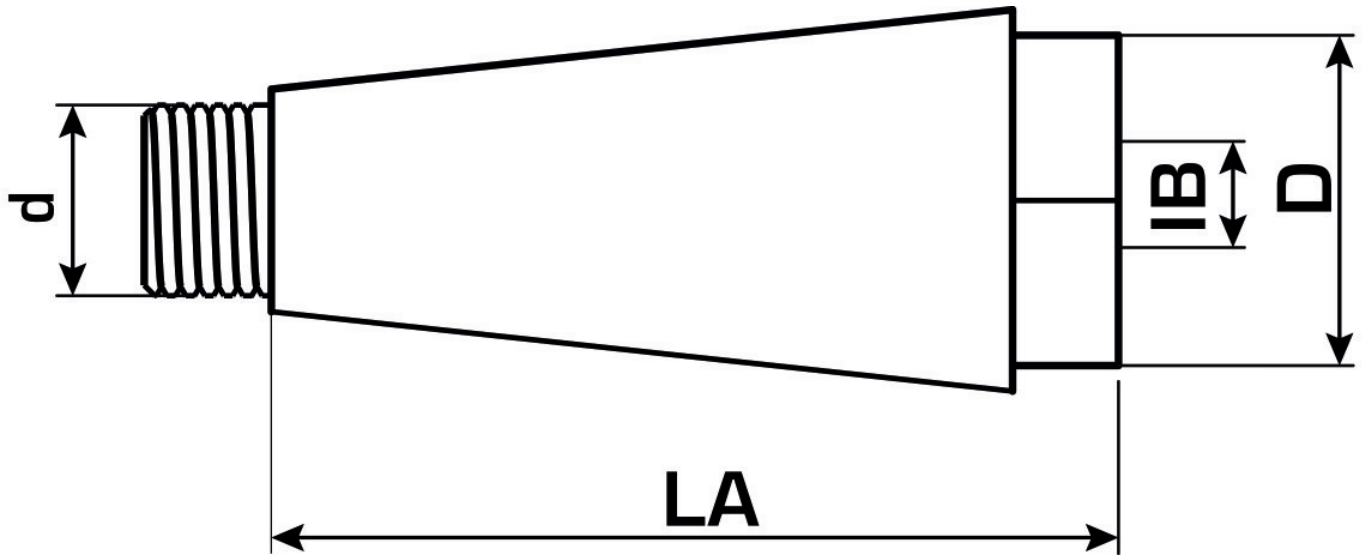
**text** KELIT stopper

**INTRNR** 39174000

**main material group** KELEN

**material group** KELEN accessories

**code** K95



Art. No	label	d mm	d1 mm
2803120	1/2" M	12	36