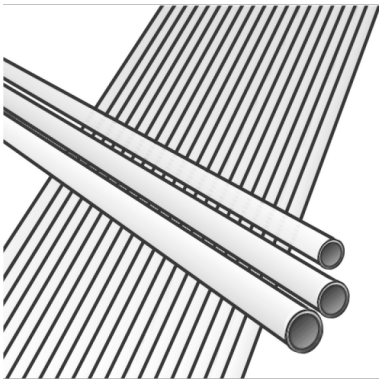


# KELOX

## KM110 KELOX multilayer pipe 40x4 / 5m

7410400

### Areas of application



KELOX multilayer pipe conforming to ÖNORM EN ISO 21003; oxygen- and water vapour-tight 5-layer multilayer pipe made of PE-RT/Al/ PE-RT;

Operating conditions according to classification of ÖNORM EN ISO 21003

Sanitary application - Class 2: 70°C - tmax 80°C/10 bar

Radiator connection - Class 5: 80°C - tmax 90°C/10 bar

Colour: white/transparent

Rod length: 5m

## Approvals:



# Specifications

## Article information

**color** White

**flexible** 1

## Technical properties

**maximum working pressure at 20 ° C** 10

**pipe weight** 0.55

**pipe contents** 0.804

**lambda pipe** 0.45

## Product information

**VPE1** 20 BND

**VPE2** 660 HOB

**L** 5 m

**weight** 0,55 KGM

**text** KELOX multilayer pipe

**INTRNR** 39173900

**main material group** KELOX

**material group** KELOX pipes

**code** KM110



| Art. No | label     | d1 mm | pipe contents | s mm |
|---------|-----------|-------|---------------|------|
| 7410400 | 40x4 / 5m | 40    | 0.804         | 4    |



**KE KELIT GmbH**

A 4020 Linz, Ignaz-Mayer-Straße 17, Austria, Europe

**PHONE** +43 (0) 50 779 **E-MAIL** office@kekelit.com

www.kekelit.com