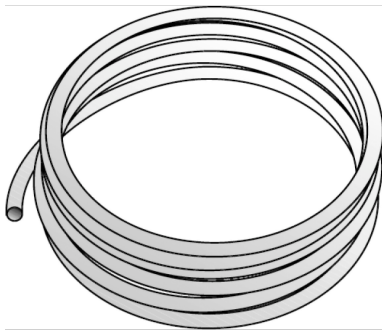


KELOX

KMU100 KELOX-ULTRAX multilayer pipe 20x2,25

7022001

Areas of application



?KELOX-ULTRAX multilayer pipe for CLIMATEFIX based on ÖNORM EN ISO 21003, an oxygen- and water vapour diffusion-tight 5-layer PE-RT/Al/PE-RT composite pipe

Application range: 60°C - tmax 70°C/10 bar

Colour: white/transparent

Supplied in coils

ATTENTION - This is NOT a drinking water and radiator connection pipe!

Approvals:



KE KELIT GmbH

A 4020 Linz, Ignaz-Mayer-Straße 17, Austria, Europe

PHONE +43 (0) 50 779 **E-MAIL** office@kekelit.com

www.kekelit.com

Specifications

Article information

color White

flexible 1

isolation 0

Technical properties

maximum working pressure at 20 ° C 10

pipe weight 0.15

pipe contents 0,189 l/m

lambda pipe 0.45

wall rawness 0,007 mm

expansion coefficient 0,025 mm/(m.K)

Product information

VPE1 100 ROL

VPE2 1300 PAL

L 100 m

weight 0,15 KGM

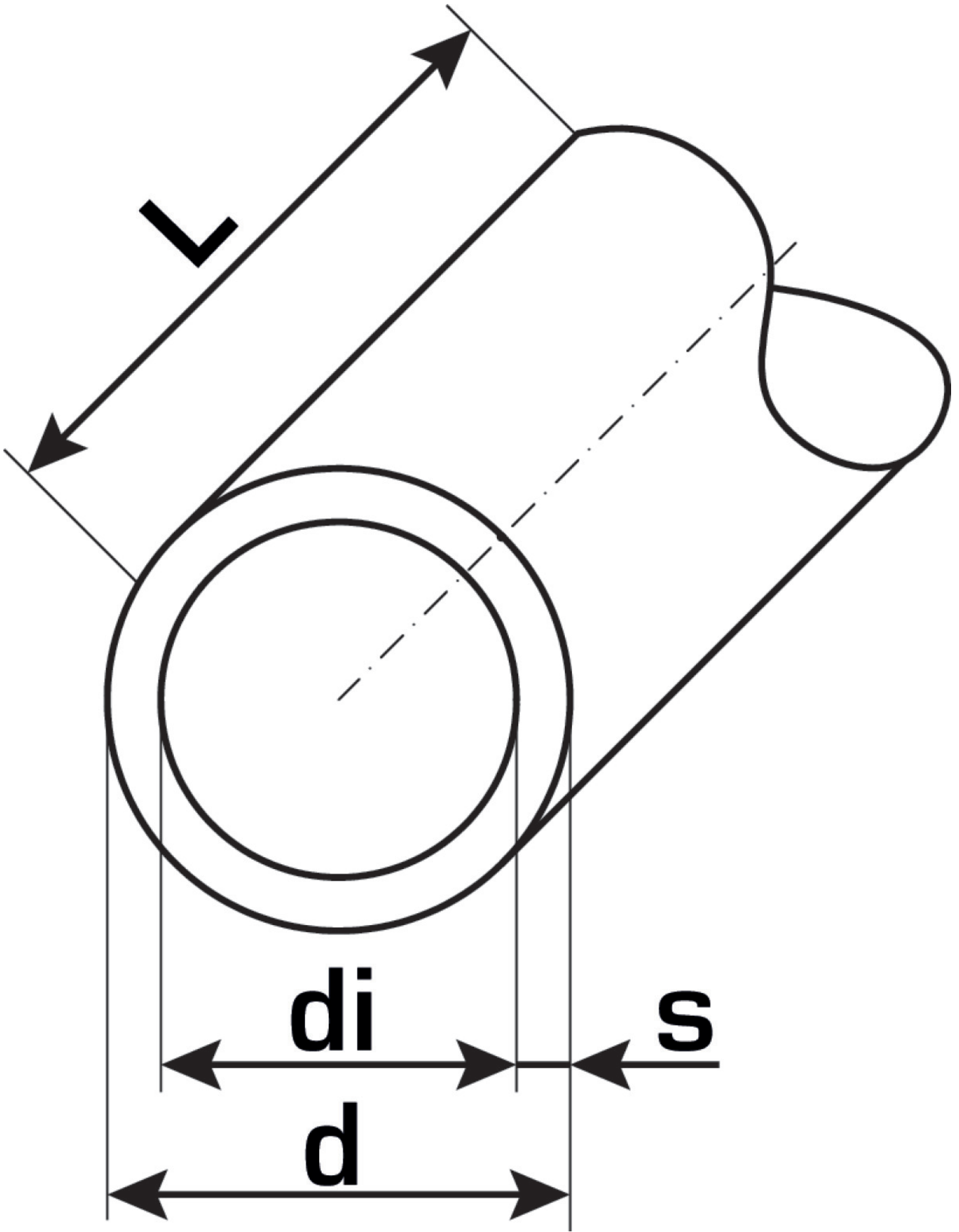
text KELOX-ULTRAX multilayer pipe

INTRNR 39173900

main material group KELOX

material group KELOX-ULTRAX pipes

code KMU100



Art. No	label	d1 mm	pipe contents l/m	s mm
7022001	20x2,25	20	0,189	2,25



KE KELIT GmbH

A 4020 Linz, Ignaz-Mayer-Straße 17, Austria, Europe

PHONE +43 (0) 50 779 **E-MAIL** office@kekelit.com

www.kekelit.com