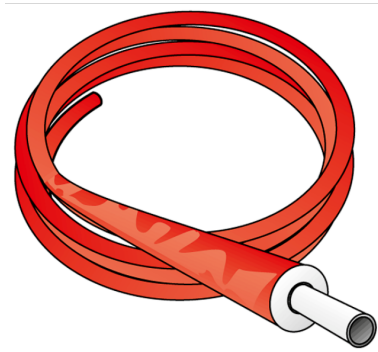


KELOX

KM130 KELOX plus pipe - 9mm 20x2,25

7521201

Areas of application



KELOX multilayer pipe conforming to ÖNORM EN ISO 21003; oxygen- and water vapour-tight 5-layer multilayer pipe made of PE-RT/Al/ PE-RT; 9 mm soft foam insulation applied at the factory; 9mm closed cell soft plastic insulation protective sleeve made of viscoplastic PE foil

Classification of operating conditions according to ÖNORM EN ISO 21003

Sanitary application - Class 2: 70°C - tmax 80°C/10 bar

Radiator connection - Class 5: 80°C - tmax 90°C/10 bar

Insulation thickness: 9mm

Colour: red

Supplied in coils

Approvals:



Specifications

Article information

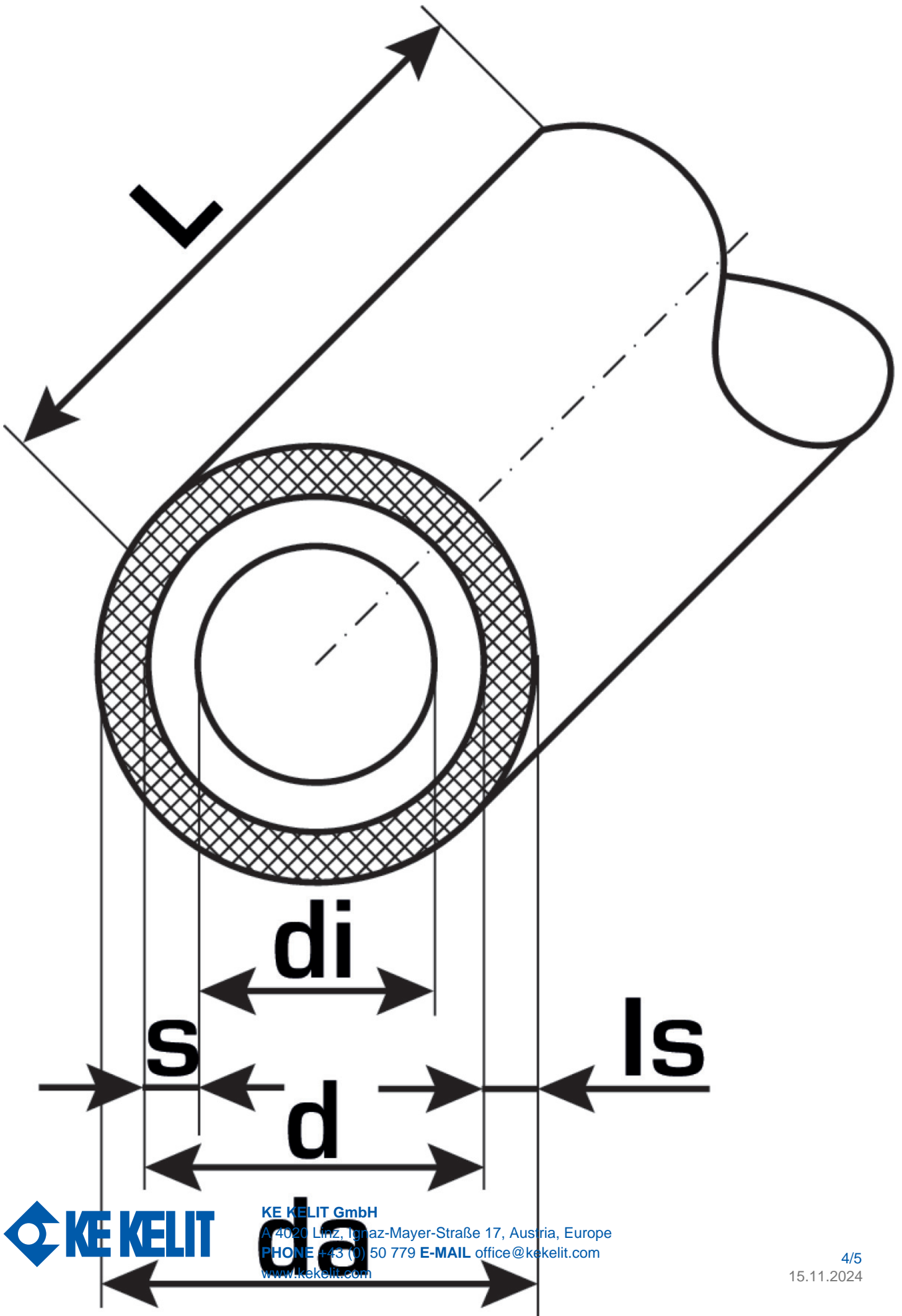
| | |
|------------------|-------|
| color | White |
| colour isolation | Red |
| flexible | 1 |
| isolation | 1 |

Technical properties

| | |
|------------------------------------|-----------|
| maximum working pressure at 20 ° C | 10 |
| thick thermal insulation | 9 mm |
| pipe weight | 0.23 |
| pipe contents | 0,189 l/m |
| lambda pipe | 0.45 |

Product information

| | |
|---------------------|-----------------------|
| VPE1 | 50 ROL |
| VPE2 | 600 PAL |
| L | 50 m |
| weight | 0,23 KGM |
| text | KELOX plus pipe - 9mm |
| INTRNR | 39173900 |
| main material group | KELOX |
| material group | KELOX isolierte pipes |
| code | KM130 |



| Art. No | label | pipe contents l/m |
|---------|---------|-------------------|
| 7521201 | 20x2,25 | 0,189 |



KE KELIT GmbH

A 4020 Linz, Ignaz-Mayer-Straße 17, Austria, Europe

PHONE +43 (0) 50 779 **E-MAIL** office@kekelit.com

www.kekelit.com