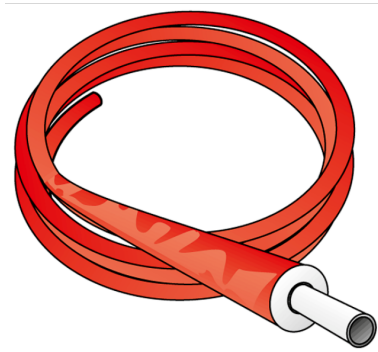


KELOX

KM130 KELOX plus pipe - 9mm 25x2,5

7521251

Areas of application



KELOX multilayer pipe conforming to ÖNORM EN ISO 21003; oxygen- and water vapour-tight 5-layer multilayer pipe made of PE-RT/Al/ PE-RT; 9 mm soft foam insulation applied at the factory; 9mm closed cell soft plastic insulation protective sleeve made of viscoplastic PE foil

Classification of operating conditions according to ÖNORM EN ISO 21003

Sanitary application - Class 2: 70°C - tmax 80°C/10 bar

Radiator connection - Class 5: 80°C - tmax 90°C/10 bar

Insulation thickness: 9mm

Colour: red

Supplied in coils

Approvals:



Specifications

Article information

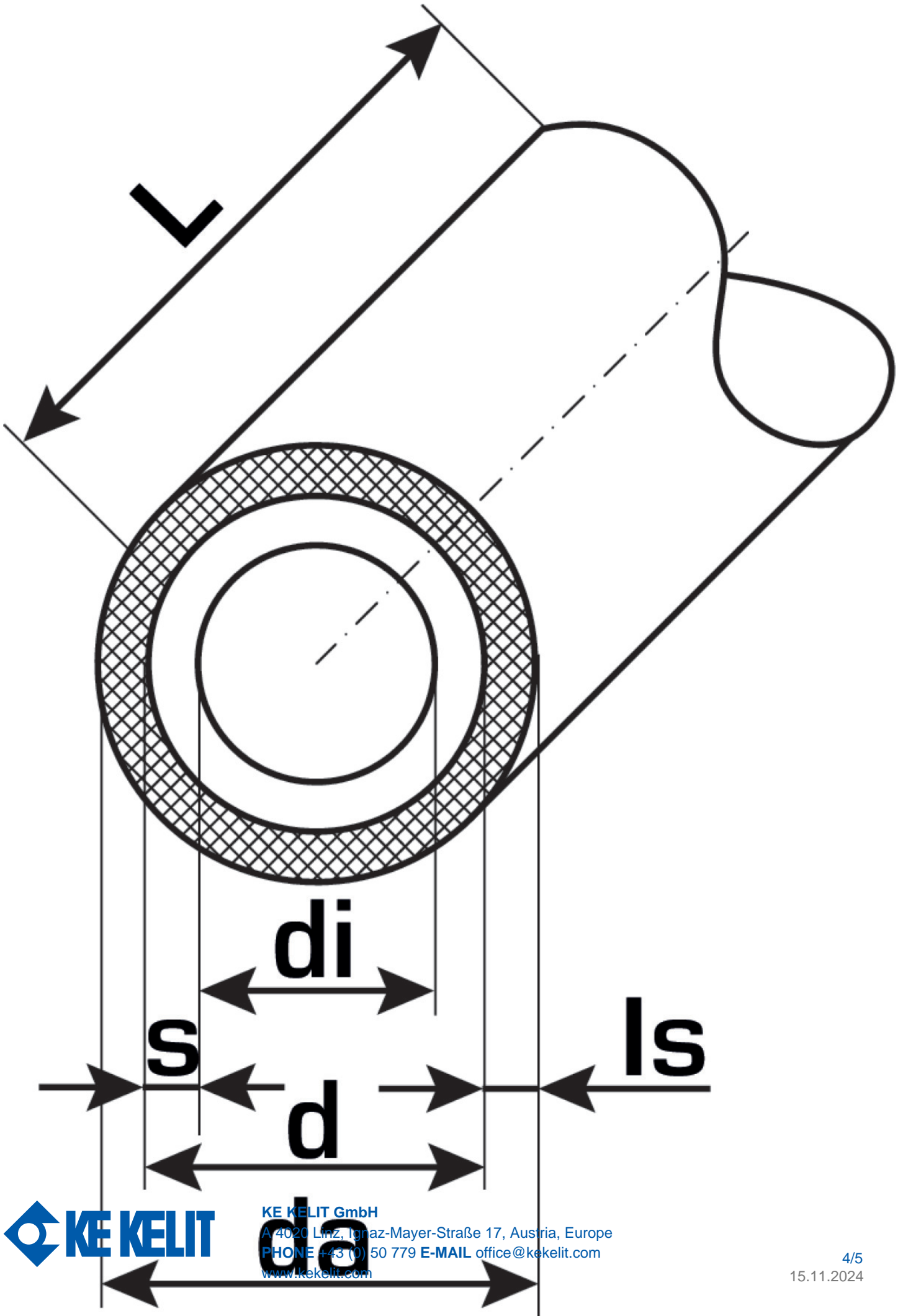
color	White
colour isolation	Red
flexible	1
isolation	1

Technical properties

maximum working pressure at 20 ° C	10
thick thermal insulation	9 mm
pipe weight	0.31
pipe contents	0,314 l/m
lambda pipe	0.45

Product information

VPE1	25 ROL
VPE2	375 PAL
L	25 m
weight	0,31 KGM
text	KELOX plus pipe - 9mm
INTRNR	39173900
main material group	KELOX
material group	KELOX isolierte pipes
code	KM130



Art. No	label	pipe contents l/m
7521251	25x2,5	0,314



KE KELIT GmbH

A 4020 Linz, Ignaz-Mayer-Straße 17, Austria, Europe

PHONE +43 (0) 50 779 **E-MAIL** office@kekelit.com

www.kekelit.com