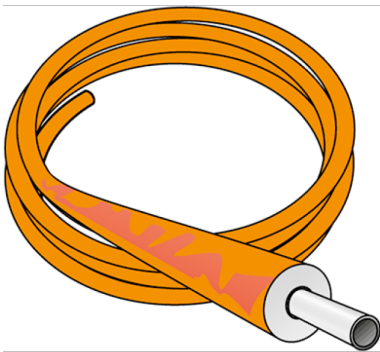


# KELOX

## KM133 KELOX plus pipe - 13mm 32x3

75213213

### Areas of application



?KELOX multilayer pipe conforming to ÖNORM EN ISO 21003, oxygen- and water vapour diffusion-tight 5-layer PE-RT/Al/PE-RT composite pipe, with factory-applied 13mm closed-cell soft foam insulation and jacket made of viscoplastic PE film

Classification of operating conditions according to ÖNORM EN ISO 21003

Sanitary application - Class 2: 70°C - tmax 80°C/10 bar

Radiator connection - Class 5: 80°C - tmax 90°C/10 bar

Insulation thickness: 13mm

Colour: orange

Supplied in coils

## Approvals:



# Specifications

## Article information

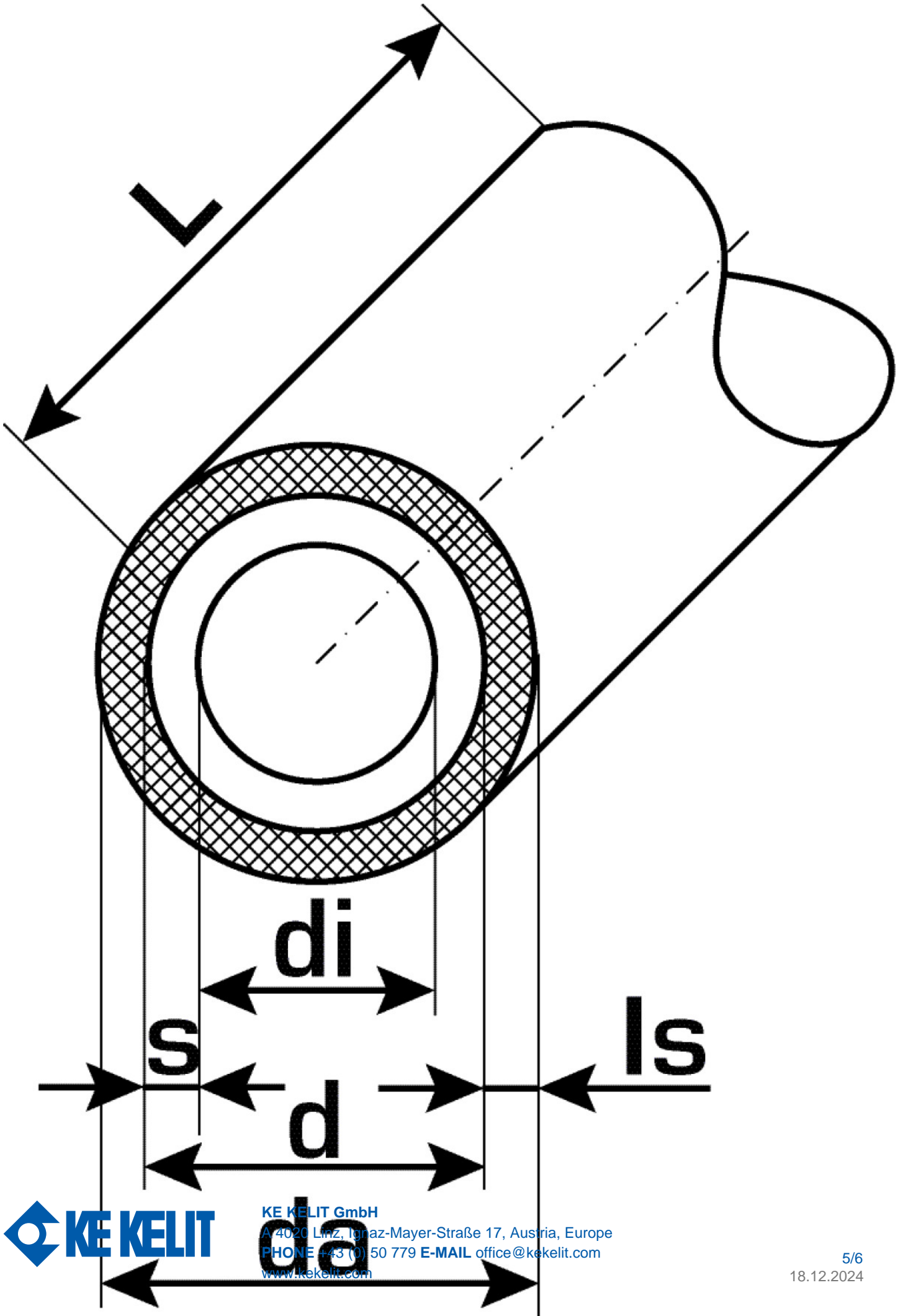
<b>color</b>	White
<b>colour isolation</b>	Orange
<b>flexible</b>	1
<b>isolation</b>	1

## Technical properties

<b>maximum working pressure at 20 ° C</b>	10 bar
<b>thick thermal insulation</b>	13 mm
<b>pipe weight</b>	0,50 kg/m
<b>pipe contents</b>	0,531 l/m
<b>lambda pipe</b>	0,45 W/(m.K)
<b>wall rawness</b>	0,007 mm
<b>expansion coefficient</b>	0,025 mm/(m.K)

## Product information

VPE1	25,00 ROL
VPE2	400,00 PAL
L	25 m
weight	0,472 KGM
text	KELOX plus pipe - 13mm
INTRNR	39173900
main material group	KELOX
material group	KELOX isolierte pipes
code	KM133



Art. No	label	d1 mm	d Jacket tube mm	pipe contents l/m	s mm
75213213	32x3	32	58	0,531	3



**KE KELIT GmbH**

A 4020 Linz, Ignaz-Mayer-Straße 17, Austria, Europe

**PHONE** +43 (0) 50 779 **E-MAIL** [office@kekelit.com](mailto:office@kekelit.com)

[www.kekelit.com](http://www.kekelit.com)