

# KELOX

## KM134 KELOX plus pipe - 4mm 18x2

7521184

### Areas of application



KELOX multilayer pipe conforming to ÖNORM EN ISO 21003; oxygen- and water vapour-tight 5-layer multilayer pipe made of PE-RT/Al/ PE-RT; 4 mm soft foam insulation applied at the factory; 4mm closed cell soft plastic insulation protective sleeve made of viscoplastic PE foil

Classification of operating conditions according to ÖNORM EN ISO 21003

Sanitary application - Class 2: 70°C - tmax 80°C/10 bar

Radiator connection - Class 5: 80°C - tmax 90°C/10 bar

Insulation thickness: 4mm

Colour: blue

Supplied in coils



**KE KELIT GmbH**

A 4020 Linz, Ignaz-Mayer-Straße 17, Austria, Europe

**PHONE** +43 (0) 50 779 **E-MAIL** office@kekelit.com

www.kekelit.com

## Approvals:



# Specifications

## Article information

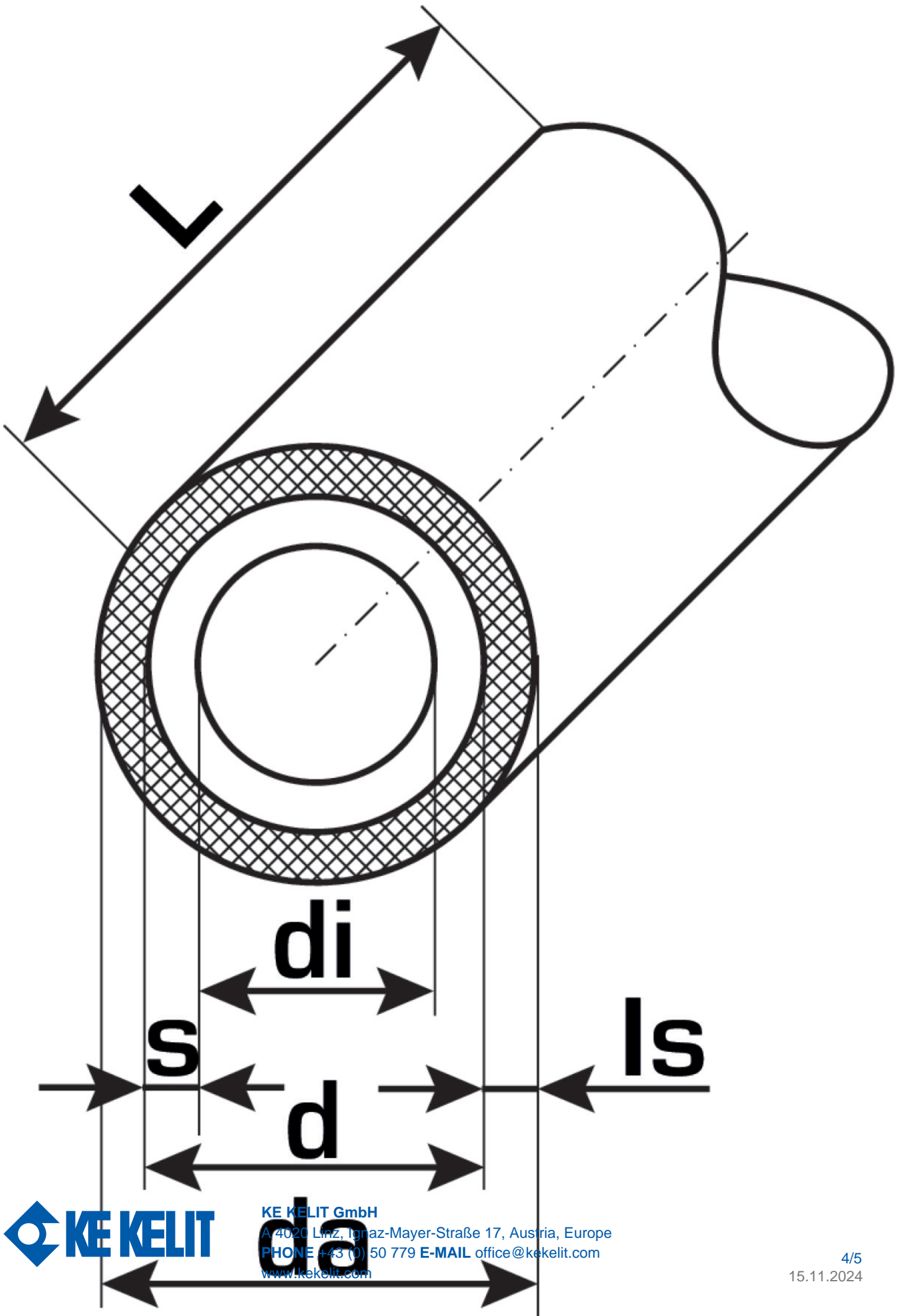
color	White
colour isolation	Blue
flexible	1
trade length	50,00 m
isolation	1

## Technical properties

maximum working pressure at 20 ° C	10
thick thermal insulation	4 mm
pipe contents	0.154
lambda pipe	0.45

## Product information

VPE1	50 ROL
VPE2	900 PAL
L	50 m
weight	0,17 KGM
text	KELOX plus pipe - 4mm
INTRNR	39173900
main material group	KELOX
material group	KELOX isolierte pipes
code	KM134



Art. No	label	d1 mm	pipe contents	s mm
7521184	18x2	18	0.154	2



**KE KELIT GmbH**

A 4020 Linz, Ignaz-Mayer-Straße 17, Austria, Europe

**PHONE** +43 (0) 50 779 **E-MAIL** [office@kekelit.com](mailto:office@kekelit.com)

[www.kekelit.com](http://www.kekelit.com)