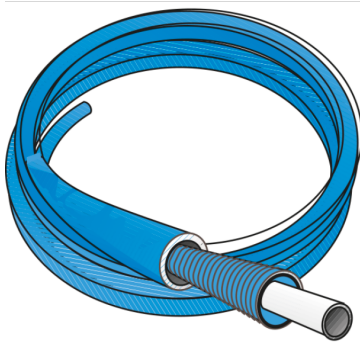


KELOX

KM144 KELOX pro plus pipe 20x2.25/28/4

1005204

Areas of application



KELOX multilayer pipe conforming to ÖNORM EN ISO 21003; oxygen- and water vapour-tight 5-layer multilayer pipe made of PE-RT/Al/PE-RT, with impermeable corrugated push-on tube attached at the factory made of PE-HD and additional 4mm closed-cell soft plastic insulation protective sleeve made of viscoplastic PE-HD

Classification of operating conditions according to ÖNORM EN ISO 21003

Sanitary application - Class 2: 70°C - tmax 80°C/10 bar

Radiator connection - Class 5: 80°C - tmax 90°C/10 bar

Colour: blue

Supplied in coils



KE KELIT GmbH

A 4020 Linz, Ignaz-Mayer-Straße 17, Austria, Europe

PHONE +43 (0) 50 779 E-MAIL office@kekelit.com

www.kekelit.com

Approvals:



Specifications

Article information

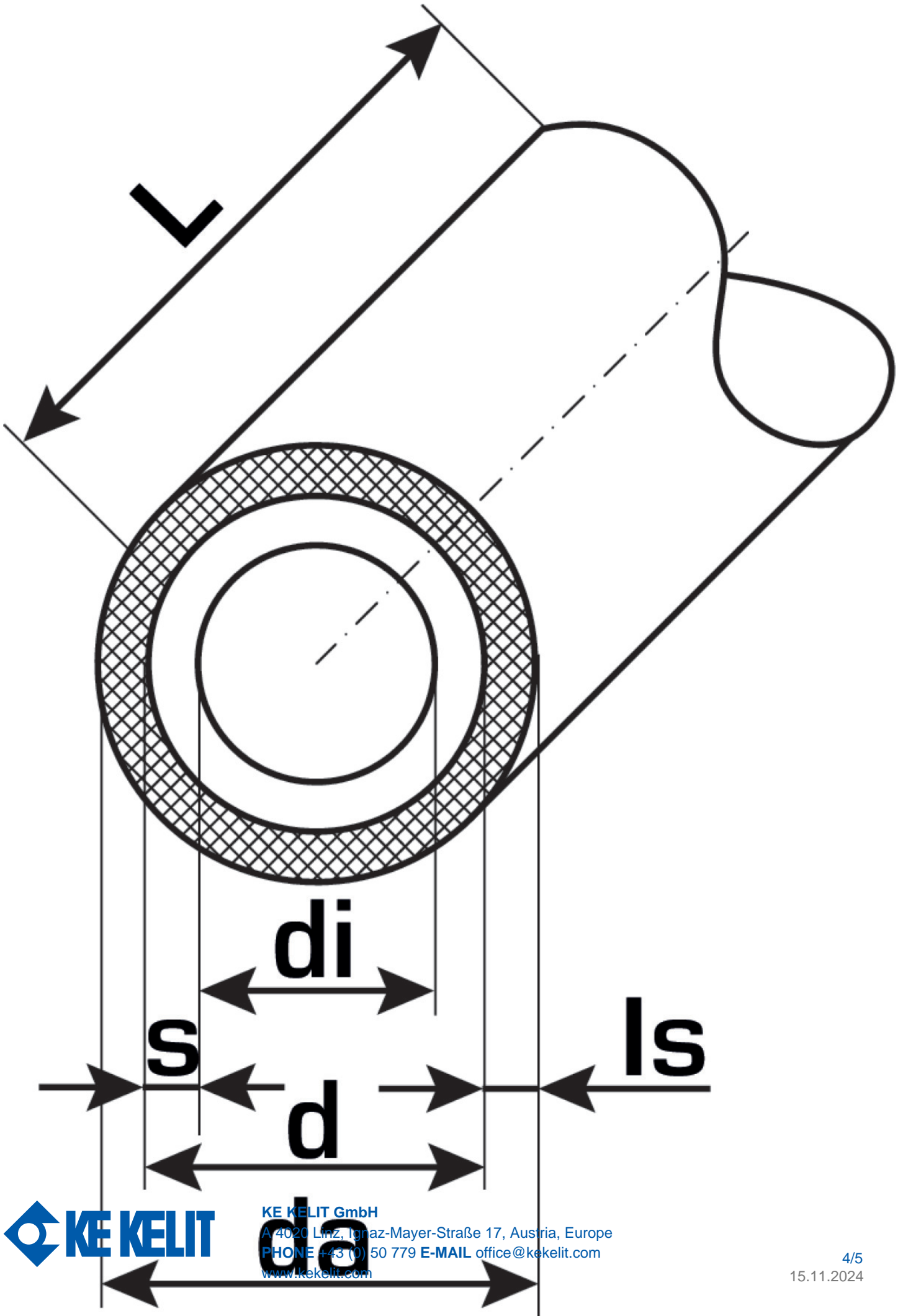
color	White
colour isolation	Blue
flexible	1
isolation	1

Technical properties

maximum working pressure at 20 ° C	10
thick thermal insulation	4 mm
pipe contents	0,189 l/m
lambda pipe	0.45

Product information

VPE1	50 ROL
L	50 m
weight	0,28 KGM
text	KELOX pro plus pipe
INTRNR	39172110
main material group	KELOX
material group	KELOX isolierte pipes
code	KM144



Art. No	label	pipe contents l/m
1005204	20x2.25/28/4	0,189



KE KELIT GmbH

A 4020 Linz, Ignaz-Mayer-Straße 17, Austria, Europe

PHONE +43 (0) 50 779 **E-MAIL** office@kekelit.com

www.kekelit.com