

KELOX

KMU134 KELOX-ULTRAX protective-jacket pipe 20x2,25

7021204

Areas of application



?KELOX-ULTRAX multilayer pipe for CLIMATEFIX based on ÖNORM EN ISO 21003, oxygen- and water vapour diffusion-tight 5-layer composite pipe made of PE-RT/Al/PE-RT, with factory-installed protective sleeve made of viscoplastic PE foil

Application range: 60°C - tmax 70°C/10 bar

Protective sleeve thickness: 4mm

Colour: green

Supplied in coils

ATTENTION - This is NOT a drinking water and radiator connection pipe!

Approvals:



Specifications

Article information

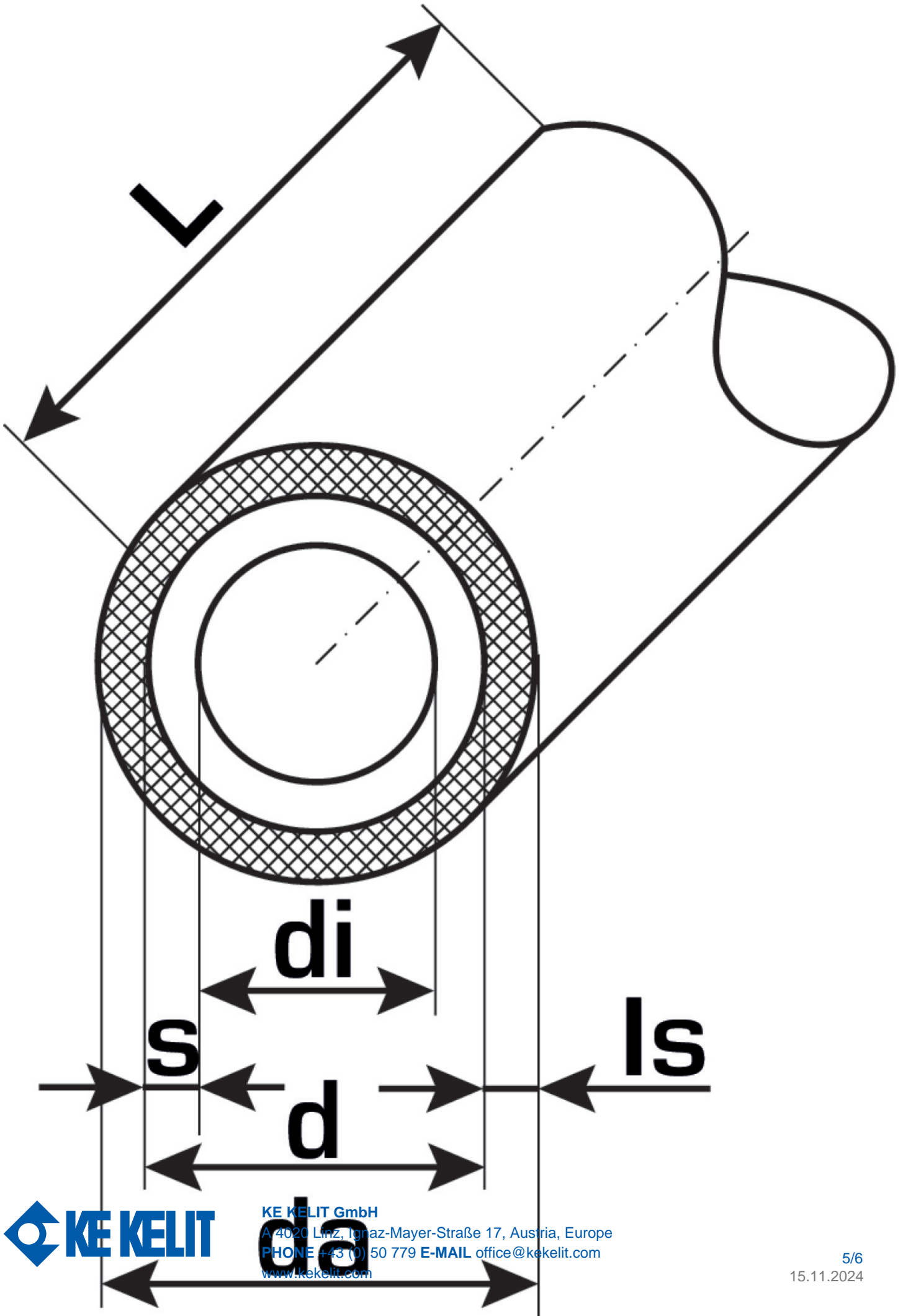
color	White
colour isolation	Green
flexible	1
isolation	1

Technical properties

maximum working pressure at 20 ° C	10
thick thermal insulation	4
pipe weight	0,19 kg/m
pipe contents	0,189 l/m
lambda pipe	0.45
wall rawness	0,007 mm
expansion coefficient	0,025 mm/(m.K)

Product information

VPE1	50 ROL
VPE2	850 PAL
L	50 m
weight	0,19 KGM
text	KELOX-ULTRAX protective-jacket pipe
INTRNR	39173900
main material group	KELOX
material group	KELOX-ULTRAX insulated pipes
code	KMU134



Art. No	label	d1 mm	d Jacket tube	pipe contents l/m	s mm
7021204	20x2,25	20	28	0,189	2,25



KE KELIT GmbH

A 4020 Linz, Ignaz-Mayer-Straße 17, Austria, Europe

PHONE +43 (0) 50 779 **E-MAIL** office@kekelit.com

www.kekelit.com