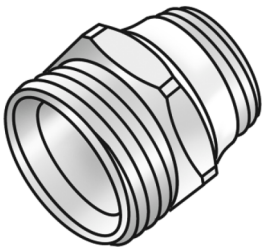


KELOX

KM355E KELOX male threaded adapter 1/2"x3/4"

7706620

Areas of application



Connecting piece or adaptor, non-porous metallized brass with pre-sealed 1/2" male thread and 3/4" male thread suitable for KM220 euro thread fitting

Approvals:



Specifications

Article information

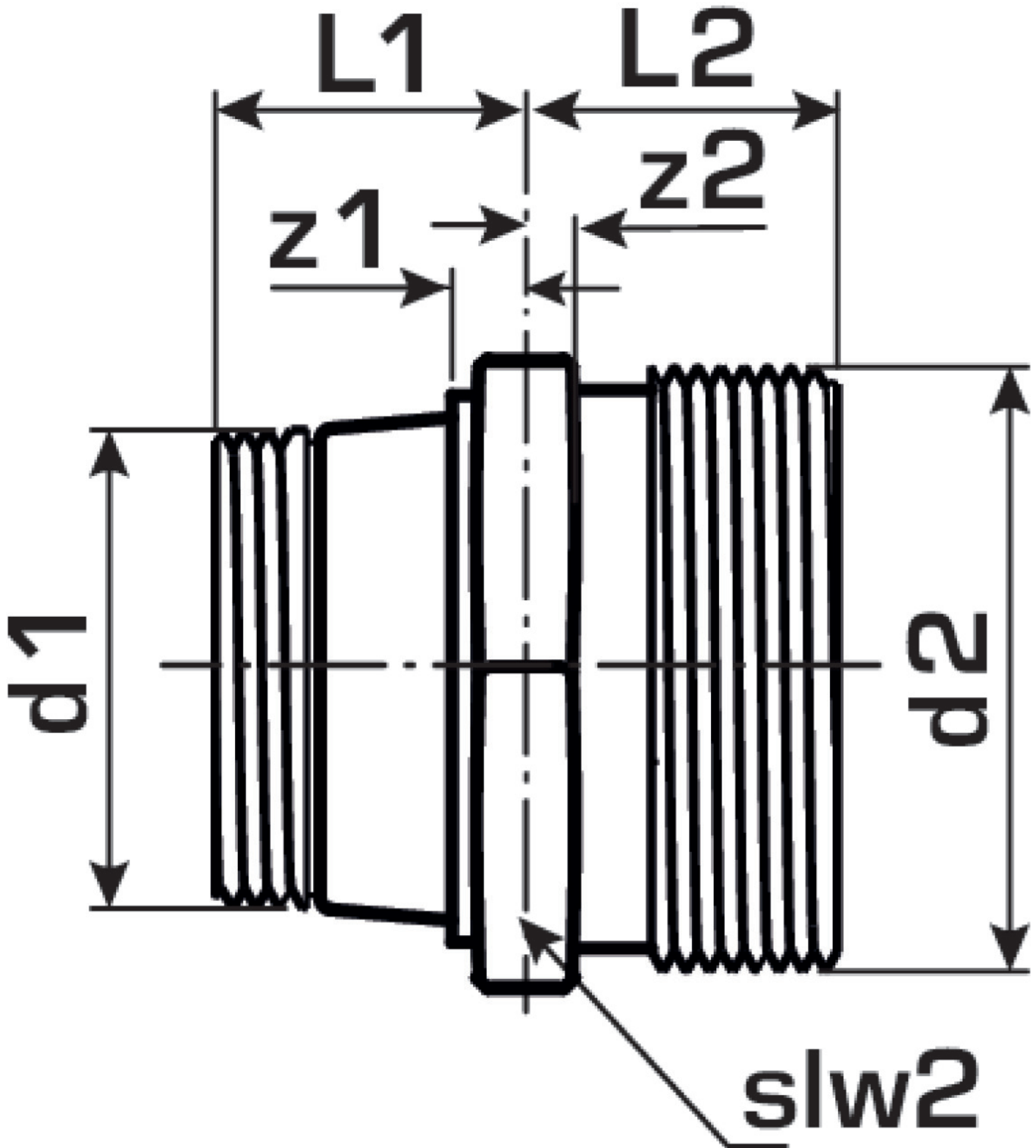
port 1	Male thread conical (NPT) conical (NPT)
port 2	Male thread, conical (NPT)
execution	Miscellaneous
design	Straight

Technical properties

maximum working pressure at 20 ° C	10
------------------------------------	----

Product information

VPE1	10 KT1
weight	0,047 KGM
text	KELOX male threaded adapter
INTRNR	74122000
main material group	KELOX
material group	KELOX screw fittings
code	KM355E



Art. No	label	d1 Inches	d2	L1	L2	z1	z2	slw1
7706620	1/2"x3/4"	1/2" (15)	3/4 Zoll (20)	15	13	4	2	26



KE KELIT GmbH

A 4020 Linz, Ignaz-Mayer-Straße 17, Austria, Europe

PHONE +43 (0) 50 779 **E-MAIL** office@kekelit.com

www.kekelit.com