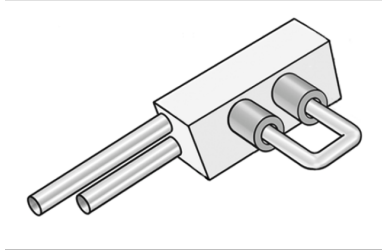


KELOX

BF600T KELOX dry construction radiator angle box 20 left

9009110

Areas of application



Insulating wall block for valve radiators; to be installed in dry construction with sound-insulated foamed fastening straps for installation between the dry construction profiles using the BF605T dry construction rail, incl. inlaid KELOX multilayer pipes for installation in wall area on one side between the feed line and return line, joined non-porous metallised copper pipes d15mm for later connection of the radiators, feed line at top

Designation:

Left: Connecting pipe from left

Right: Connecting pipe from right

Attention! Follow the installation instructions of the screw fitting manufacturers and if necessary use support sleeves for copper connections

W: 140mm, H: 80mm, D: 70mm



KE KELIT GmbH

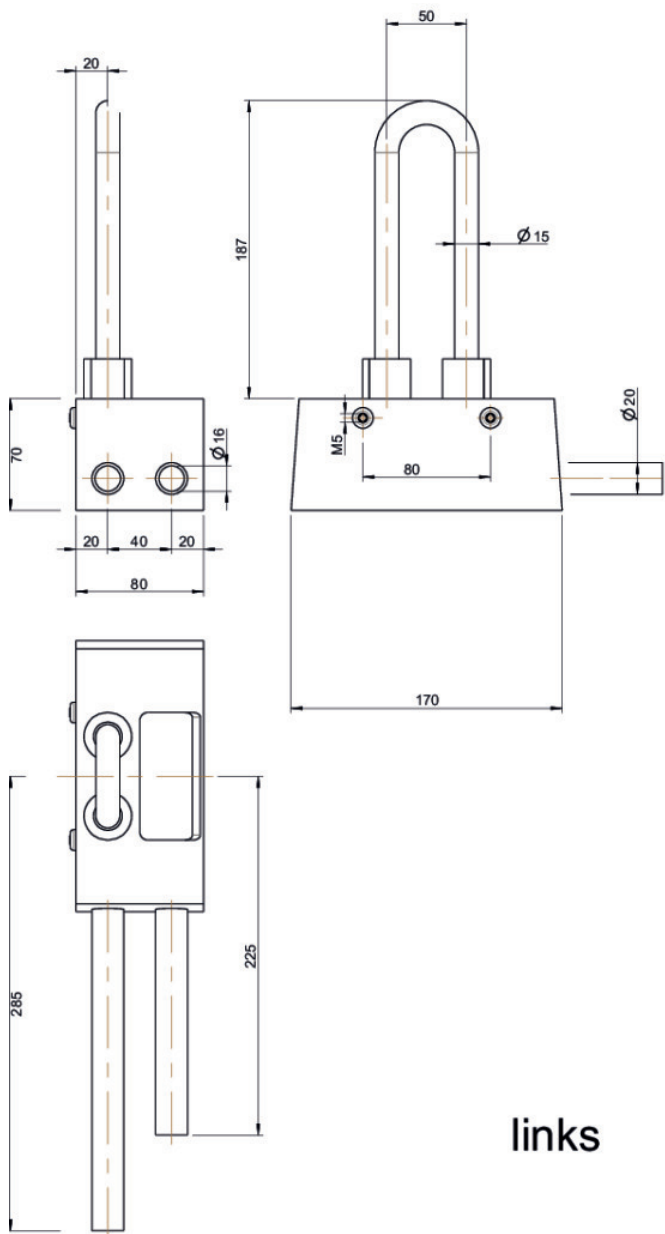
A 4020 Linz, Ignaz-Mayer-Straße 17, Austria, Europe

PHONE +43 (0) 50 779 **E-MAIL** office@kekelit.com

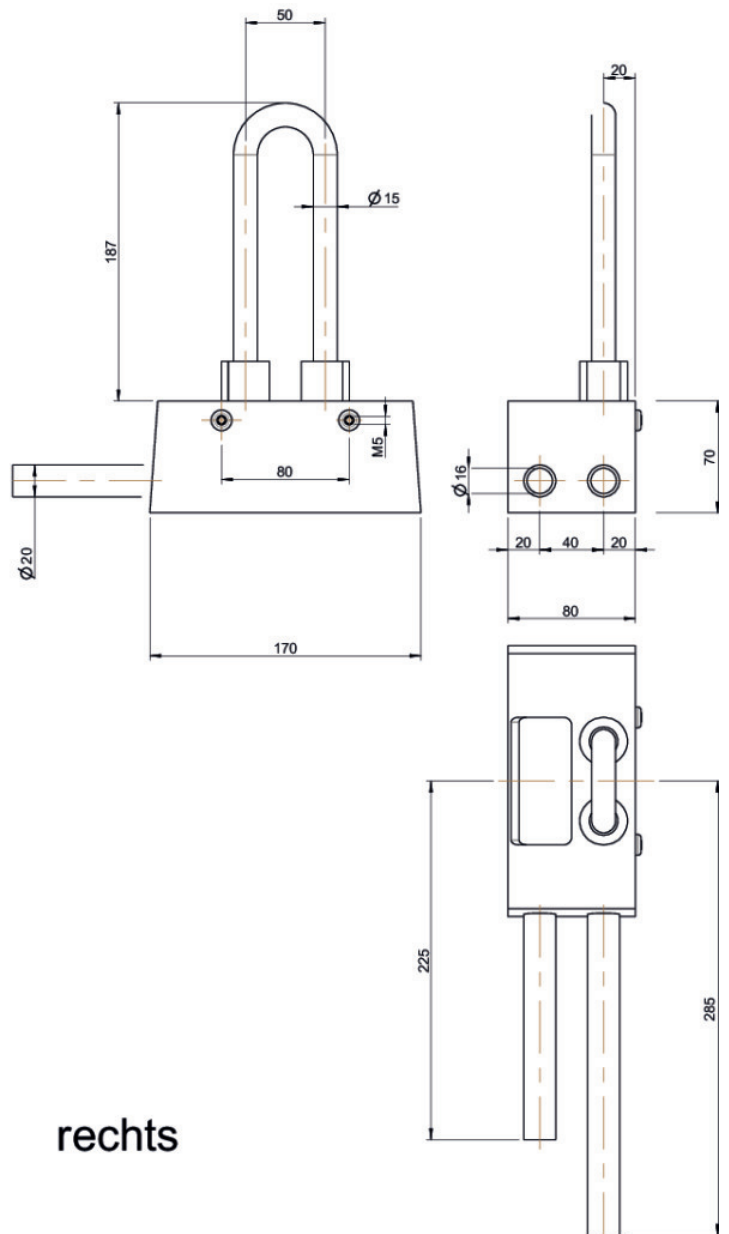
www.kekelit.com

Specifications

Product information	
VPE1	1 SA1
VPE2	10 KT1
weight	0,44 KGM
text	KELOX dry construction radiator angle box
INTRNR	39174000
main material group	KELOX
material group	KELOX accessories
code	BF600T



links



rechts

Art. No	label
9009110	20 left