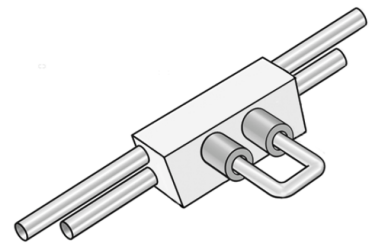


KELOX

BF602T KELOX dry construction radiator tee box 20x20

9009210

Areas of application



Insulating wall block for valve radiators; to be installed in dry construction with sound-insulated foamed fastening straps for installation between the dry construction profiles using the BF605T dry construction rail, incl. inlaid KELOX multilayer pipes for installation in wall area on both sides between the feed line and return line, joined non-porous metallised copper pipes d15mm for later connection of the radiators, feed line at top

Attention! Follow the installation instructions of the screw fitting manufacturers and if necessary use support sleeves for copper connections

W: 140mm, H: 80mm, D: 70mm



KE KELIT GmbH

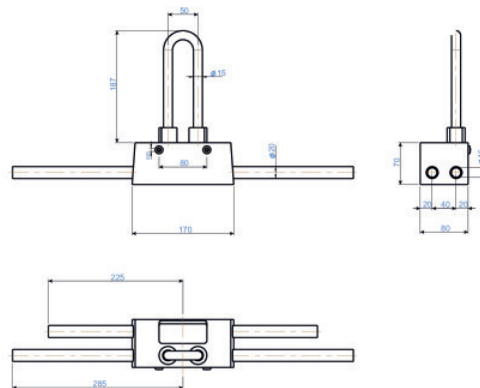
A 4020 Linz, Ignaz-Mayer-Straße 17, Austria, Europe

PHONE +43 (0) 50 779 **E-MAIL** office@kekelit.com

www.kekelit.com

Specifications

Product information	
VPE1	1 SA1
VPE2	10 KT1
weight	0,54 KGM
text	KELOX dry construction radiator tee box
INTRNR	39174000
main material group	KELOX
material group	KELOX accessories
code	BF602T



Art. No	label
9009210	20x20