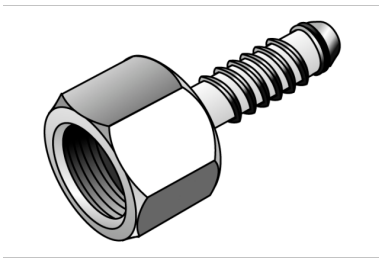


KELOX

KM258 KELOX stopper for pressure testing 32x1/2"

7604320

Areas of application



Re-usable plug for pressure testing KELOX multilayer pipes

After removing the plug, cut off the pipe end!

NOT suitable for continuous use!

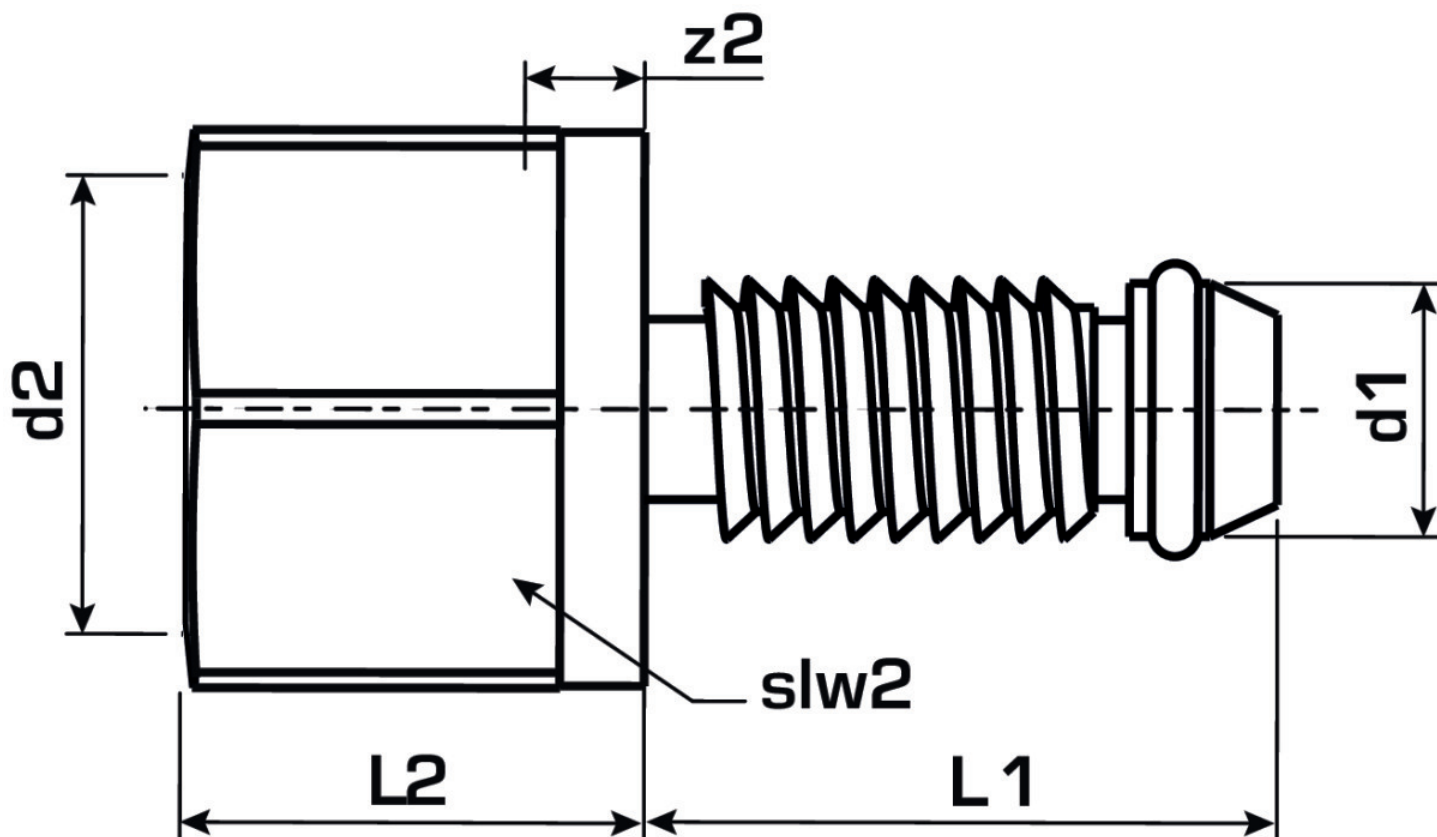
Specifications

Technical properties

maximum working pressure at 20 ° C	10
------------------------------------	----

Product information

VPE1	5 SA1
VPE2	100 KT1
weight	0,15 KGM
text	KELOX stopper for pressure testing
INTRNR	74122000
main material group	KELOX
material group	KELOX accessories
code	KM258



Art. No	label	d1 mm	L1	L2	z2	slw2
7604320	32x1/2"	32	42	22	7.5	30