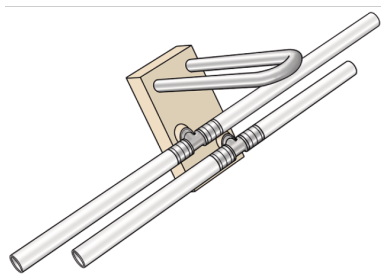


KELOX

KM506 KELOX SL-UP radiator Elbow Box 20x20

9009300

Areas of application



Skirting insulating wall block for valve radiators for installation in flush-mount areas before plastering is done, incl. inlaid KELOX multilayer pipes for installation in wall area on one side between the feed line and return line, joined non-porous metallised copper pipes d15mm for later connection of the radiators, feed line at top

Size: W: 140mm, H: 140mm, D: 30mm

Attention! Follow the installation instructions of the screw fitting manufacturers and if necessary use support sleeves for copper connections

Specifications

Article information

color weiß

flexible 1

isolation 1

Technical properties

maximum working pressure at 20 ° C 10 bar

pipe weight 0,11 kg/m

pipe contents 0,113 l/m

wall rawness 0,007 mm

expansion coefficient 0,025 mm/(m.K)

Product information

VPE1 1 SA1

VPE2 10 KT1

weight 0,58 KGM

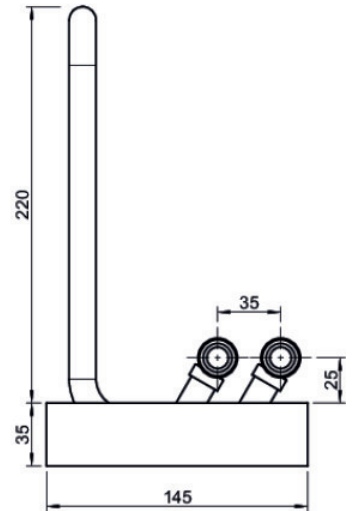
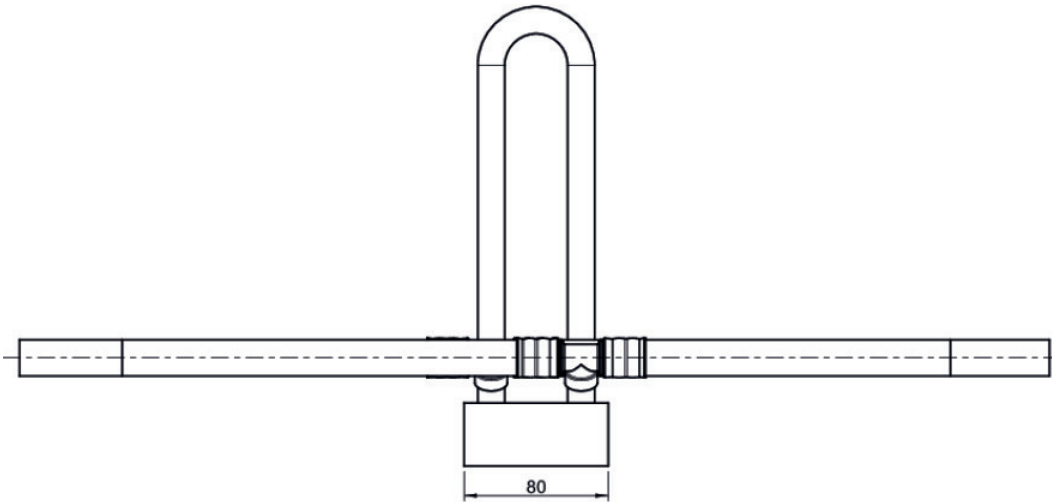
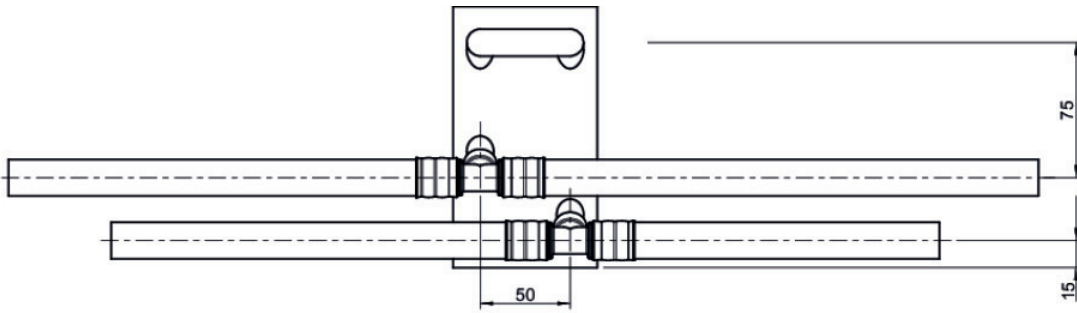
text KELOX SL-UP radiator Elbow Box

INTRNR 74122000

main material group KELOX

material group KELOX accessories

code KM506



Art. No	label	d1 mm	pipe contents l/m	s mm
9009300	20x20	16	0,113	2