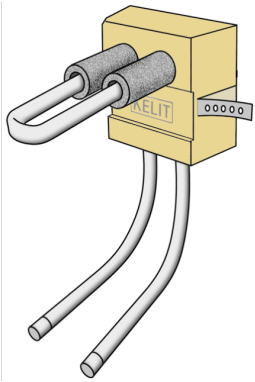


KELOX

KM547 KELOX UP wall block 16 Type 1

9006500

Areas of application



Insulating wall block for valve radiators; to be installed before plaster work is done; incl. inlaid KELOX multilayer pipes d16 connected between the feed line and return line; for later connection to the radiator; suitable for flush mounting

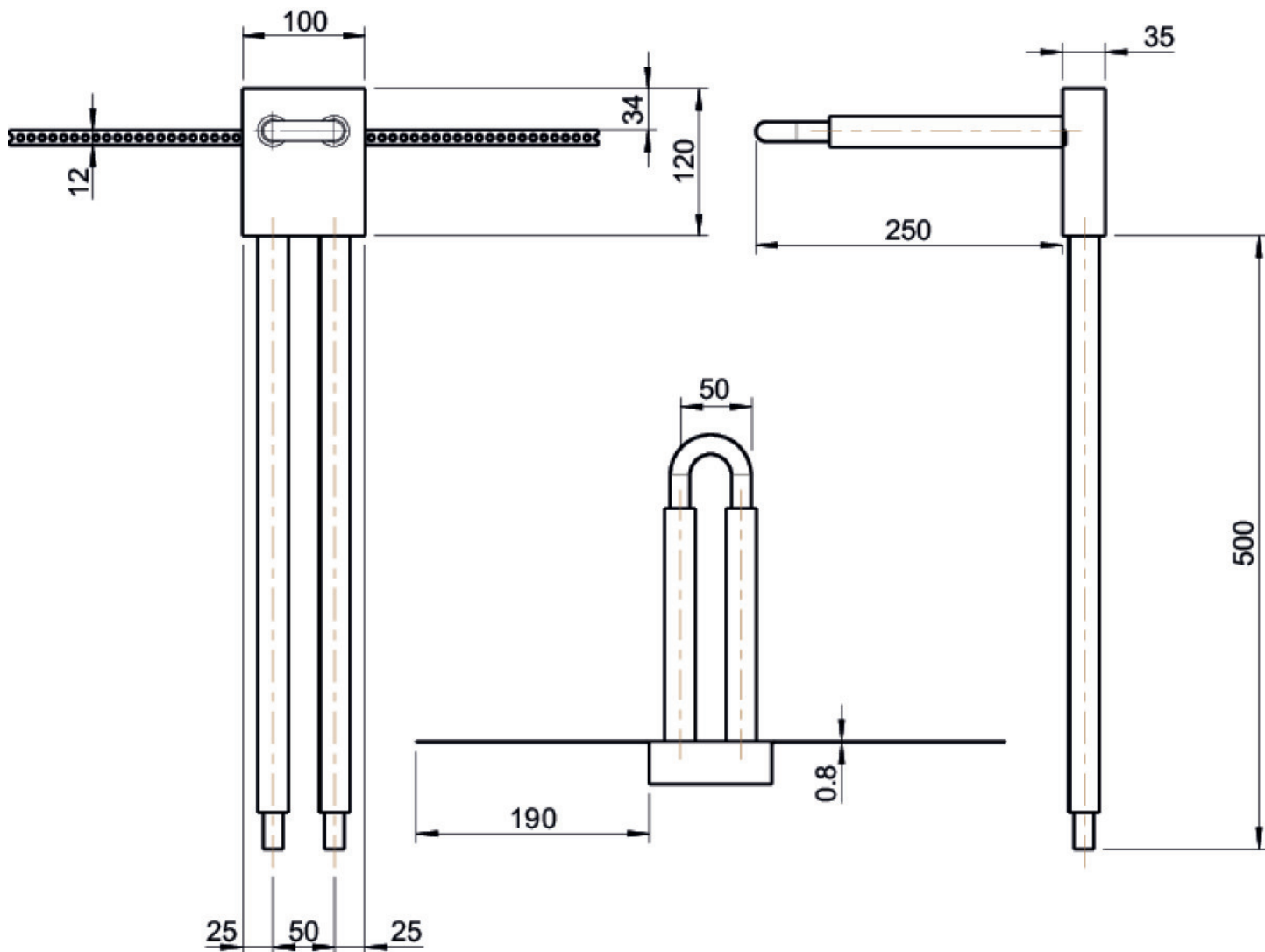
Type 1: W: 110mm, H: 200 mm, D: 50mm - Pipe 500mm, Elbow 150mm

Type 2: B: 100mm, H: 120 mm, D: 35mm - Pipe 500mm, Elbow 250mm

Type 3: W: 110mm, H: 200 mm, D: 50mm - Pipe 500mm, Elbow 250mm

Specifications

Product information	
VPE1	1 KT1
VPE2	10 KT2
weight	0,23 KGM
text	KELOX UP wall block
INTRNR	39174000
main material group	KELOX
material group	KELOX accessories
code	KM547



Art. No	label
9006500	16 Type 1