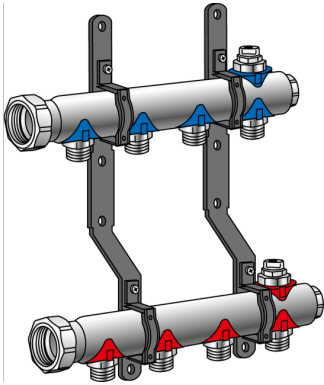


# KELOX

## KM580E KELOX radiator & sanitary manifold 3 L: 175mm

7803500

### Areas of application



Feed and return flow bars with heating circuit outlets 3/4" euro cone with male thread, with bleeding at the highest point and draining, manifold ends closed, connections with pre-formed union nut 1" flat-sealing, non-porous metallized brass, incl. labelled plates for each heating circuit and sound-insulated plastic consoles

Area of application: tmax. 90°C/10 bar

ATTENTION - WITHOUT KM220 Euro thread fitting!

## Approvals:



# Specifications

Product information	
VPE1	1 KT1
weight	1,398 KGM
text	KELOX radiator & sanitary manifold
INTRNR	84818039
main material group	KELOX
material group	KELOX accessories
code	KM580E

Art. No	label
7803500	3 L: 175mm