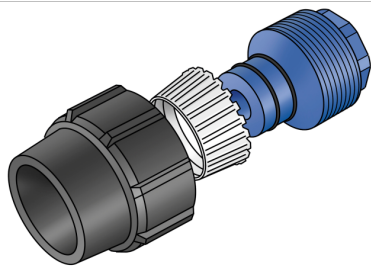


KELOX

KM260 KELOX screw fitting with female thread for pressure testing 50x1/2"

7624500

Areas of application



Re-usable union with female thread for pressure testing KELOX multilayer pipes

After removing the screw fitting, cut off the pipe end!

NOT suitable for continuous use!

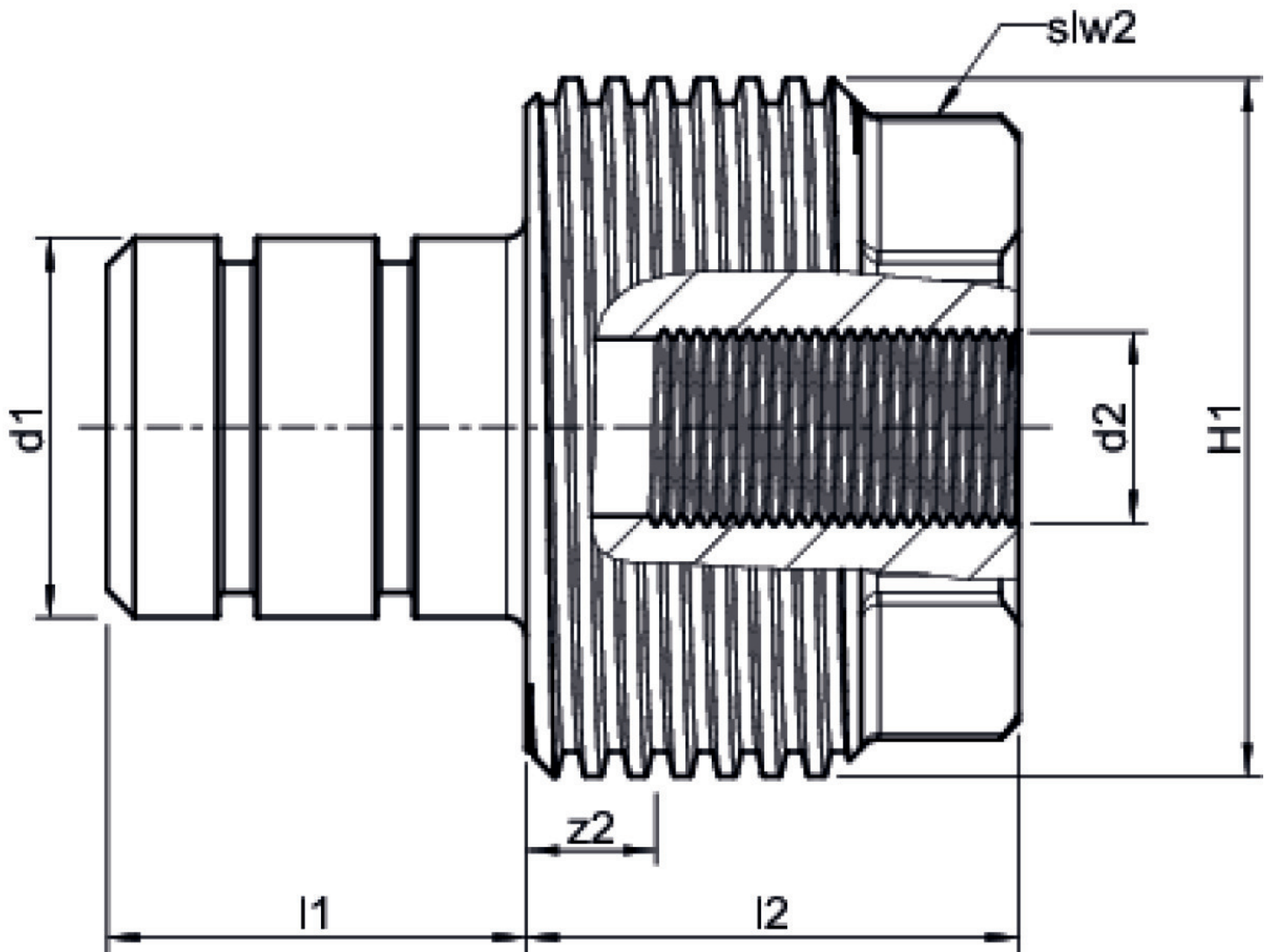
Specifications

Article information

port 1	Klemmring
port 2	Innengewinde zylindrisch BSPT-Rp (ISO 7-1 / EN 10226-1)
execution	3-teilig
design	gerade

Product information

VPE1	1 SA1
VPE2	12 KT1
weight	0,45 KGM
text	KELOX screw fitting with female thread for pressure testing
INTRNR	74122000
main material group	KELOX
material group	KELOX accessories
code	KM260



Art. No	label	d2	d1 mm	L1 mm	L2 mm	z2 mm	slw2 mm
7624500	50x1/2"	1/2 Zoll (15)	50	45	53	14	60