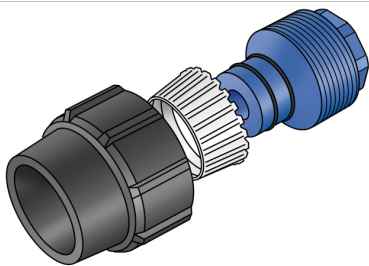


KELOX

KM260 KELOX screw fitting with female thread for pressure testing 63x1/2"

7624630

Areas of application



Re-usable union with female thread for pressure testing KELOX multilayer pipes

After removing the screw fitting, cut off the pipe end!

NOT suitable for continuous use!

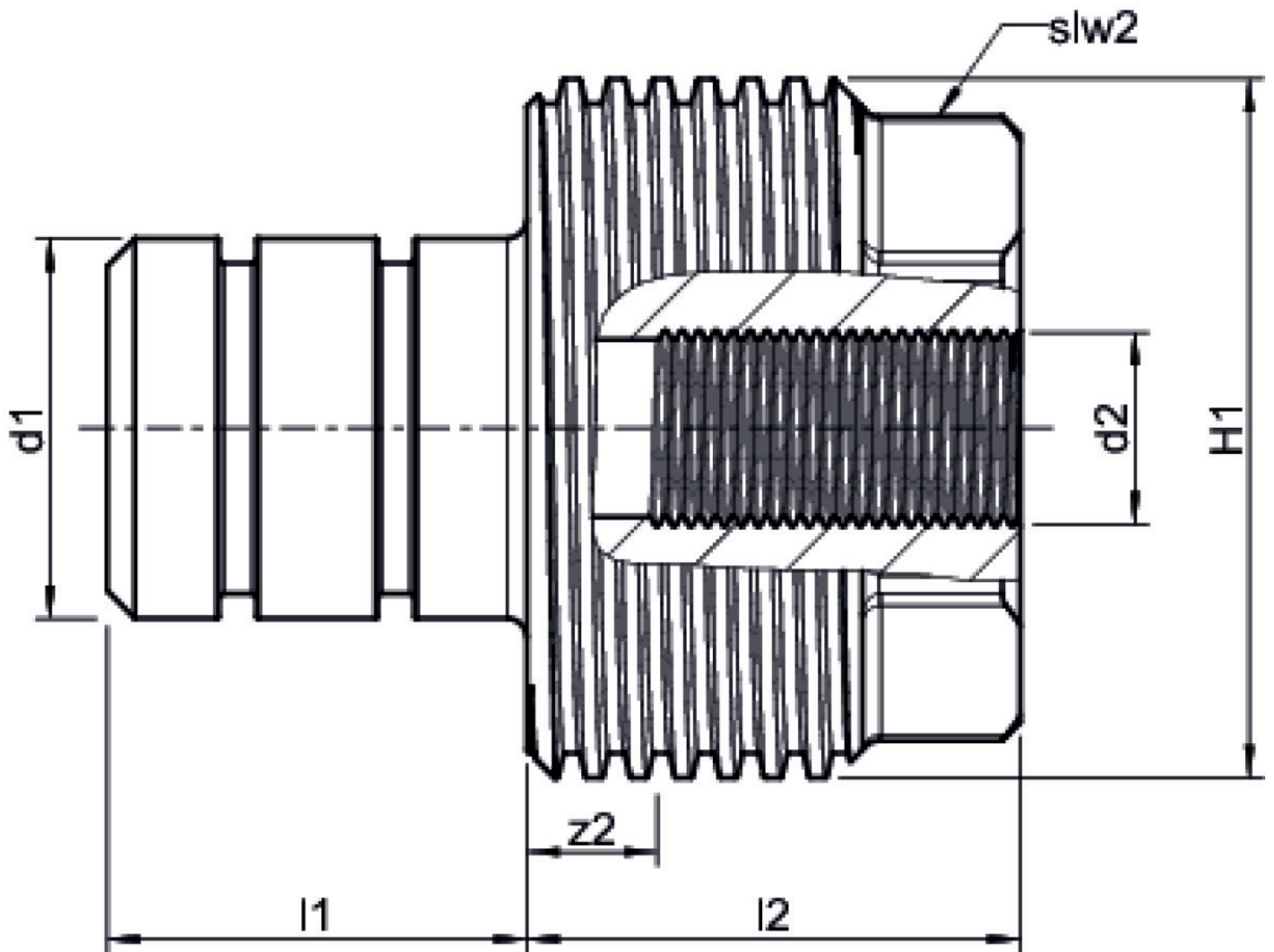
Specifications

Article information

| | |
|-----------|---|
| port 1 | Klemmring |
| port 2 | Innengewinde zylindrisch BSPT-Rp (ISO 7-1 / EN 10226-1) |
| execution | 3-teilig |
| design | gerade |

Product information

| | |
|---------------------|---|
| VPE1 | 1 SA1 |
| VPE2 | 8 KT1 |
| weight | 0,72 KGM |
| text | KELOX screw fitting with female thread for pressure testing |
| INTRNR | 74122000 |
| main material group | KELOX |
| material group | KELOX accessories |
| code | KM260 |



| Art. No | label | d2 | d1 mm | L1 mm | L2 mm | z2 mm | slw2 mm |
|---------|---------|------------------|-------|-------|-------|-------|---------|
| 7624630 | 63x1/2" | 1/2 Zoll (15) | 63 | 45 | 53 | 14 | 70 |